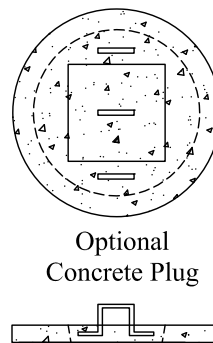
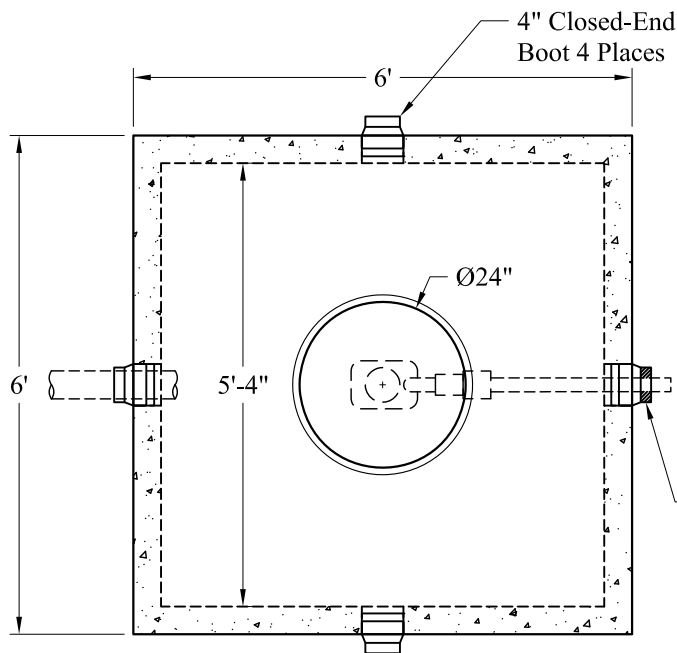
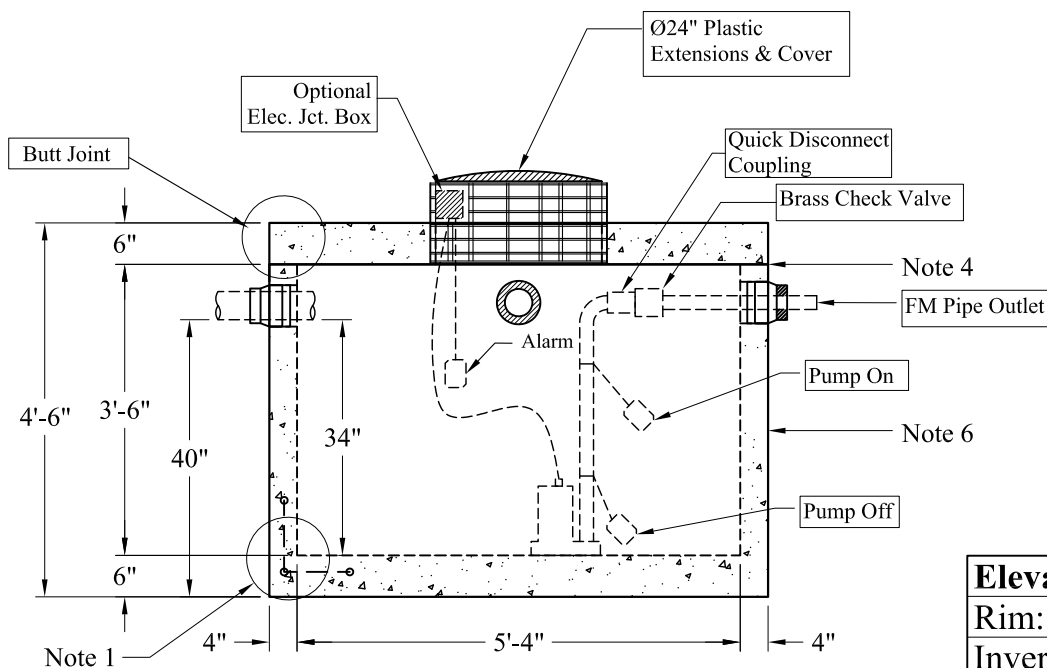


Pumps and Related Accessories are Optional.  
Junction Box And Electrical Connections  
Installed By Others



NOTE: A Pipe Bushing  
Will Be Required On All  
Boots with Pipes Less Than 4"



Elevations:	
Rim:	
Invert In:	
Alarm On:	
Pump On:	
Pump Off:	
Inside Floor:	

**General Notes**

- 1.) Reinforcement Steel Conforms To Latest ASTM A 615 Specifications, Grade 60
- 2.) Concrete:  $f_c = 5,000$  psi @ 28 Days Minimum
- 3.) Flexible Boots Provided
- 4.) Butyl Rubber Joint Sealant Provided
- 5.) Liquid Capacity: 213 Gallons/VF (18 Gallons/Inch)
- 6.) Exterior Coating Available
- 7.) HD Tanks: 3' - 6' Cover, Non-Traffic

**Est. Weight:**

Top Slab: 2,450 Lbs  
Base: 6,650 Lbs  
Total: 9,100 Lbs

**Phoenix  
Precast  
Products**

**600 Gallon HD  
(5'-4" x 5'-4" x 3'-6")  
Pump Chamber**

P/N: PC-600SQHD