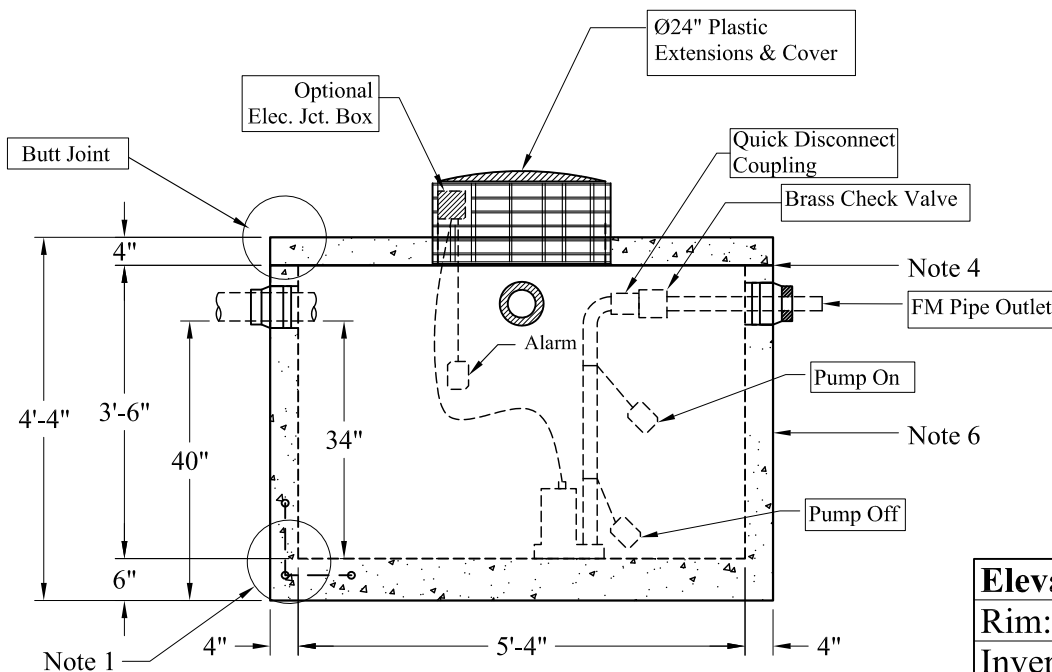
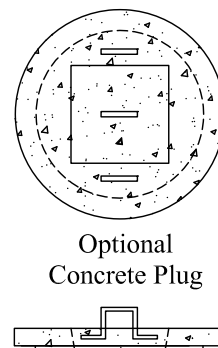
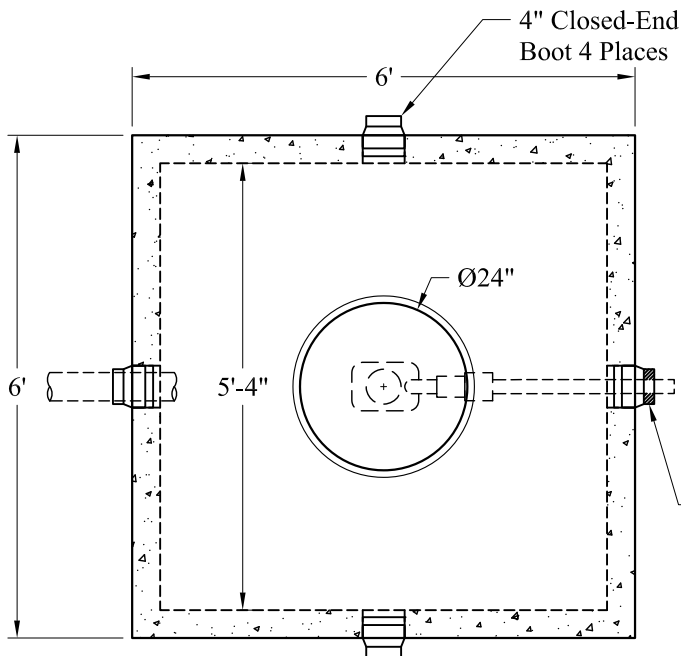


Pumps and Related Accessories are Optional.  
Junction Box And Electrical Connections  
Installed By Others



Elevations:	
Rim:	
Invert In:	
Alarm On:	
Pump On:	
Pump Off:	
Inside Floor:	

**General Notes**

- 1.) Reinforcement Steel Conforms To Latest ASTM A 615 Specifications, Grade 60
- 2.) Concrete:  $f_c = 5,000$  psi @ 28 Days Minimum
- 3.) Flexible Boots Provided
- 4.) Butyl Rubber Joint Sealant Provided
- 5.) Liquid Capacity: 213 Gallons/VF (18 Gallons/Inch)
- 6.) Exterior Coating Available
- 7.) LD Tanks: 3' Cover, Non-Traffic

**Est. Weight:**

Top Slab:	1,600 Lbs
Base:	6,600 Lbs
Total:	8,200 Lbs

Phoenix  
Precast  
Products

600 Gallon LD  
(5'-4" x 5'-4" x 3'-6")  
Pump Chamber

P/N: PC-600SQLD

Concord, NH 03301