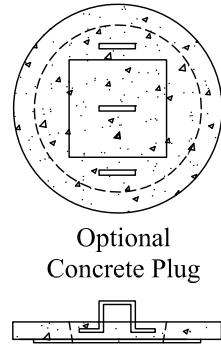
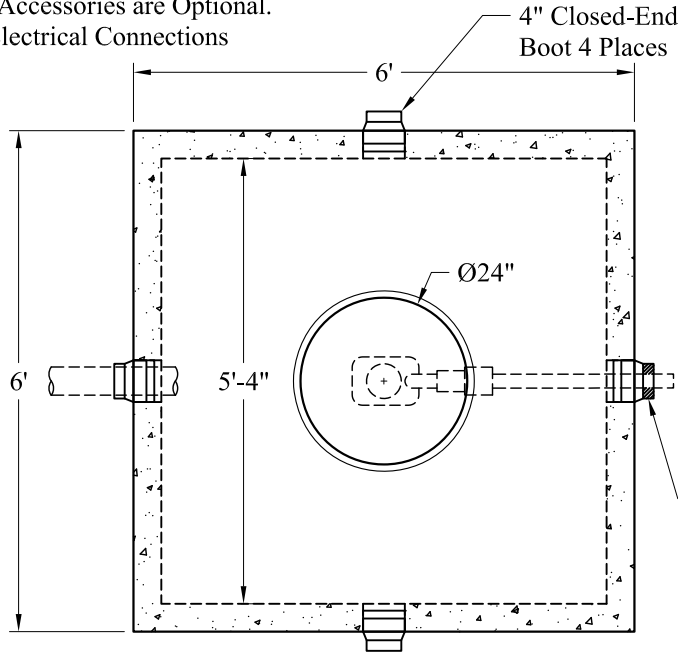
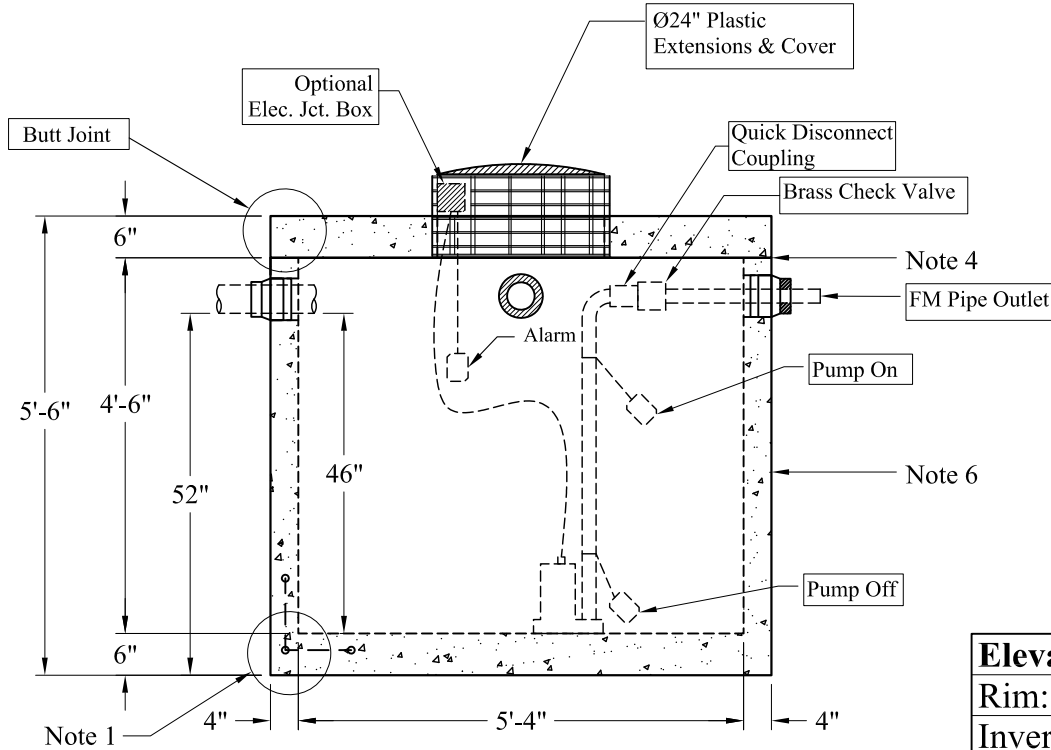


Pumps and Related Accessories are Optional.  
Junction Box And Electrical Connections  
Installed By Others



NOTE: A Pipe Bushing  
Will Be Required On All  
Boots with Pipes Less Than 4"



Elevations:	
Rim:	
Invert In:	
Alarm On:	
Pump On:	
Pump Off:	
Inside Floor:	

Est. Weight:	
Top Slab:	2,450 Lbs
Base:	7,650 Lbs
Total:	10,100 Lbs

**General Notes**

- 1.) Reinforcement Steel Conforms To Latest ASTM A 615 Specifications, Grade 60
- 2.) Concrete: fc = 5,000 psi @ 28 Days Minimum
- 3.) Flexible Boots Provided
- 4.) Butyl Rubber Joint Sealant Provided
- 5.) Liquid Capacity: 213 Gallons/VF (18 Gallons/Inch)
- 6.) Exterior Coating Available
- 7.) HD Tanks: 3'-6" Cover, Non-Traffic

Phoenix  
Precast  
Products

800 Gallon HD  
(6' x 6' x 5'-6")  
Pump Chamber

P/N: PC-800SQHD