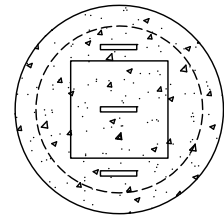
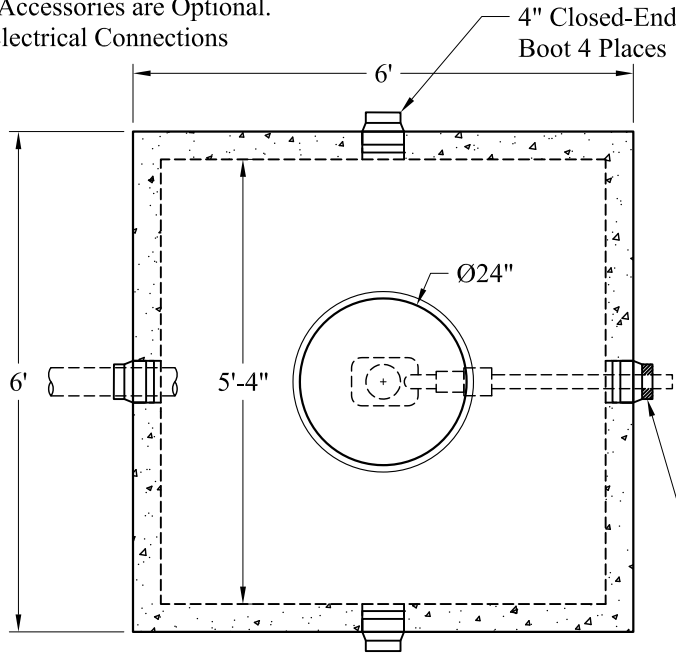


1-800-639-2199

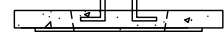
Fax (603) 224-2927

Pump Stations\Standard\6 ft x 6ft 800 Gallon Pump Pit LD

Pumps and Related Accessories are Optional.
Junction Box And Electrical Connections
Installed By Others



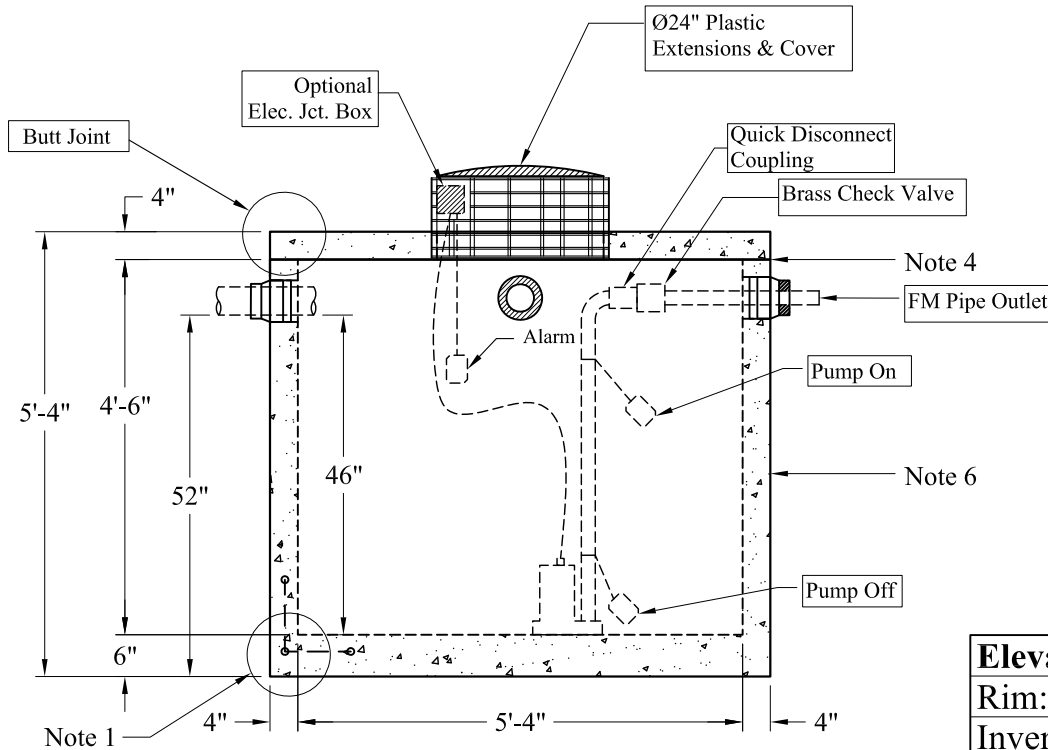
Optional
Concrete Plug



NOTE: A Pipe Bushing
Will Be Required On All
Boots with Pipes Less Than 4"

Phoenix Precast Products

Phoenix Precast Products



Elevations:	
Rim:	
Invert In:	
Alarm On:	
Pump On:	
Pump Off:	
Inside Floor:	

Est. Weight:

Top Slab:	1,600 Lbs
Base:	7,650 Lbs
Total:	9,250 Lbs

General Notes

- 1.) Reinforcement Steel Conforms To Latest ASTM A 615 Specifications, Grade 60
- 2.) Concrete: $f_c = 5,000$ psi @ 28 Days Minimum
- 3.) Flexible Boots Provided
- 4.) Butyl Rubber Joint Sealant Provided
- 5.) Liquid Capacity: 213 Gallons/VF (18 Gallons/Inch)
- 6.) Exterior Coating Available
- 7.) LD Tanks: 3' Cover, Non-Traffic

Phoenix
Precast
Products

800 Gallon LD
(6' x 6' x 5'-4")
Pump Chamber

P/N: PC-800SQLD