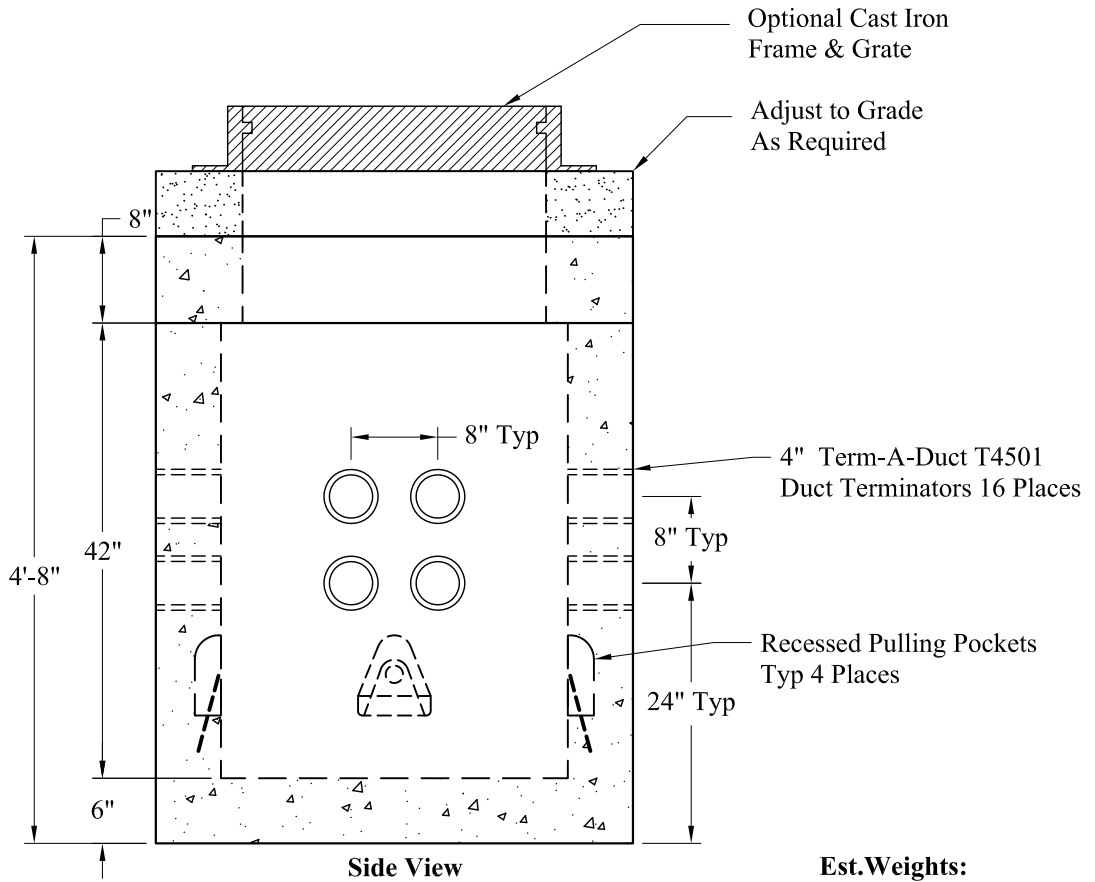


Plan View



Side View

**Est. Weights:**

Top Slab:	1,025 Lbs
Base:	4,360 Lbs
<b>Total:</b>	<b>5,385 Lbs</b>

**General Notes**

- Concrete:  $f_c = 5,000$  psi @ 28 Days Minimum
- Reinforcing Steel: ASTM-A615 Grade #60 Black Deformed Bars
- Design Load per ASTM C857-13 Standard Practice for Minimum Structural Design Loading for Underground Precast Utility Structures
- Specification per ASTM C858-10 Standard Specification for Underground Precast Concrete Utility Structures
- Duct Terminators: 4.50" ID Bowco Model T-4501

Phoenix  
Precast  
Products

FAA Pull Box  
With Floor

P/N: HH-FAAFLOOR

Concord, NH 03301