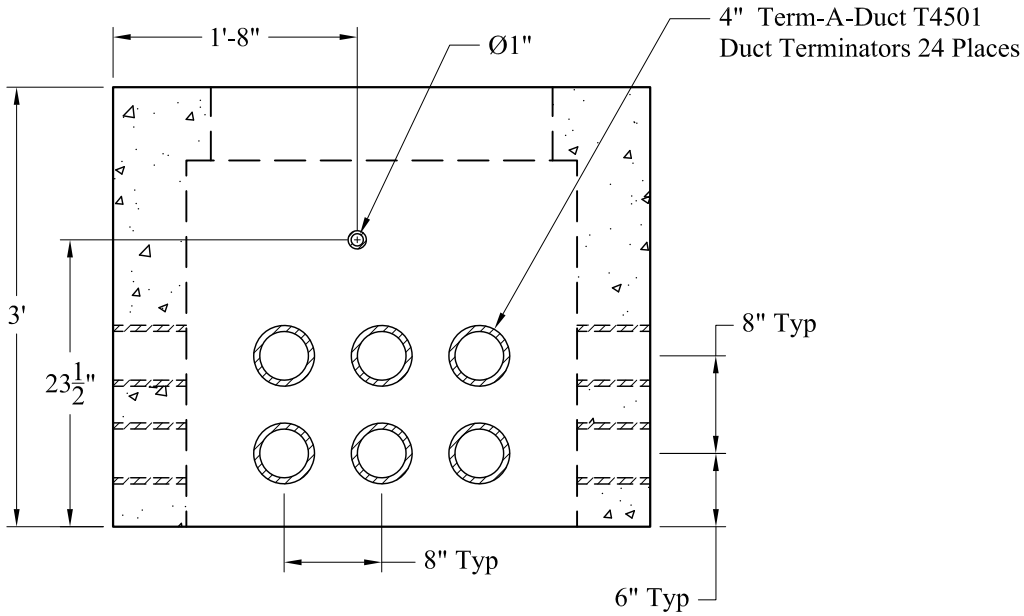


Opening Size	Approx. Weight	P/N
24"	3,500 Lbs	HH-FAASHORT24
26"	3,500 Lbs	HH-FAASHORT26
28"	3,500 Lbs	HH-FAASHORT28
30"	3,500 Lbs	HH-FAASHORT30

Plan View



Side View

General Notes

1. Concrete: $f_c = 5,000$ psi @ 28 Days Minimum
2. Reinforcing Steel: ASTM-A615 Grade #60 Black Deformed Bars
3. Minimum Design Load: AASHTO HS20-44

Phoenix
Precast
Products

FAA Hand Hole
(Short)
HS-20 Loading

P/N: See Above