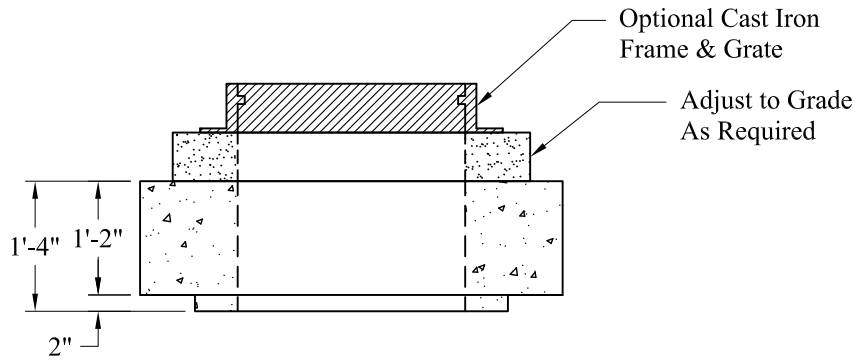
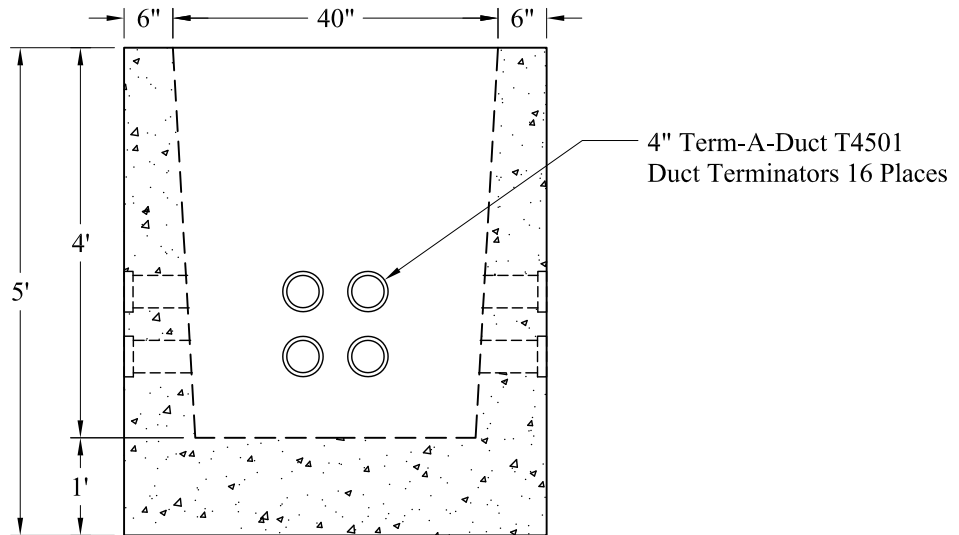


Plan View



Optional Cast Iron Frame & Grate

Adjust to Grade As Required



4" Term-A-Duct T4501 Duct Terminators 16 Places

Front View

General Notes

1. Concrete: $f_c = 5,000$ psi @ 28 Days Minimum
2. Reinforcing Steel: ASTM-A615 Grade #60 Black Deformed Bars
3. Design Load per ASTM C857-13 Standard Practice for Minimum Structural Design Loading for Underground Precast Utility Structures
4. Specification per ASTM C858-10 Standard Specification for Underground Precast Concrete Utility Structures
5. Duct Terminators: 4.50" ID Bowco Model T-4501

Est. Weights:

Top Slab: 2,700 Lbs
 Base: 8,075 Lbs
 Total: 10,775 Lbs

Phoenix
 Precast
 Products

FAA Hand Hole
 (Tall)
 Airport Loading

P/N: HH-FAALARGE