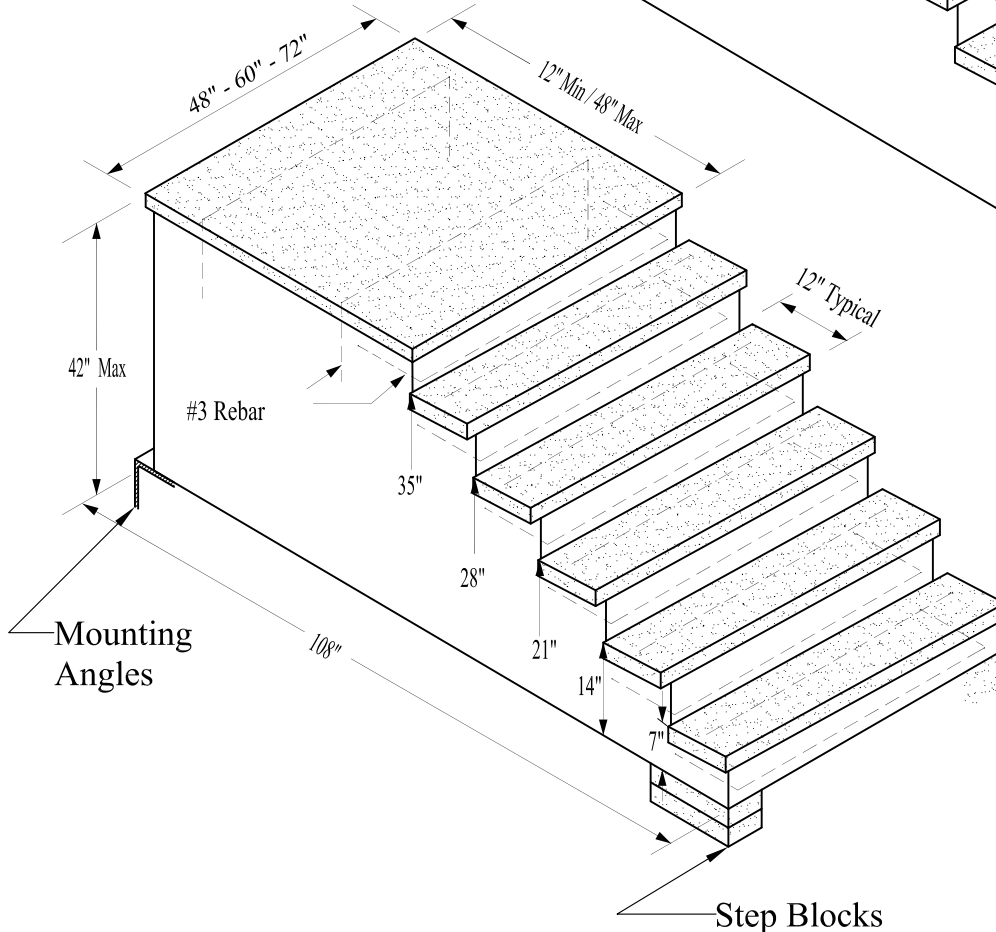
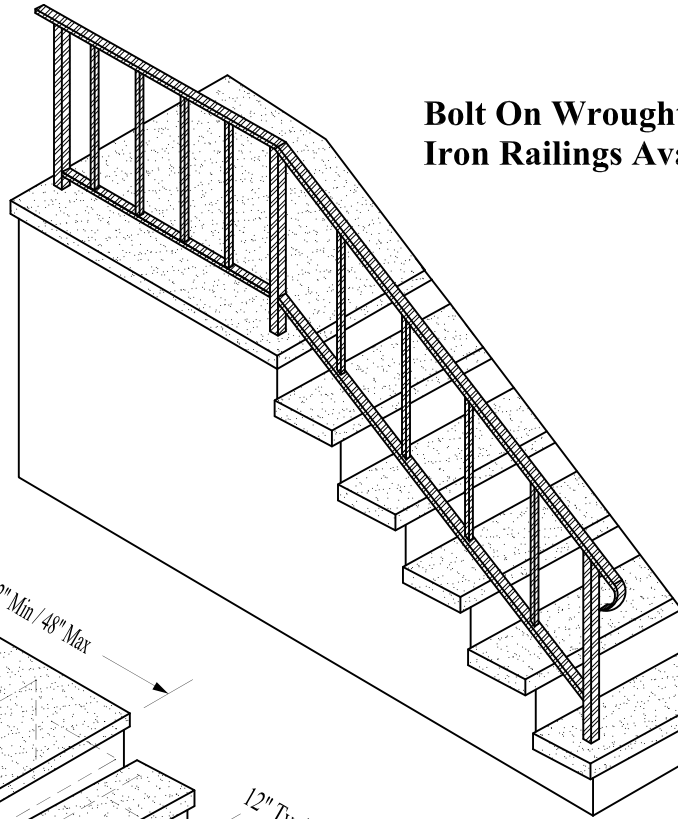


Steps Available In 4', 5', And 6' Widths

Choose Steps At Least 12" Wider Than Door Opening

**Step Rise - 7"
Tread Depth - 12"**

Bolt On Wrought Iron Railings Available



Phoenix Precast Products

Phoenix Precast Products

General Notes

- 1.) Concrete: $f_c = 4,000$ PSI Minimum After 28 Days Minimum
- 2.) Broom Finish Supplied
- 3.) Blocks and Angles Attached To Poured Foundation By Phoenix Precast
- 4.) Optional Concrete Slab, Sono Tubes or Compacted Crushed Gravel By Others

Phoenix
Precast
Products

4Ft/5Ft/6FT Precast Steps
Custom Platform
Depths Available