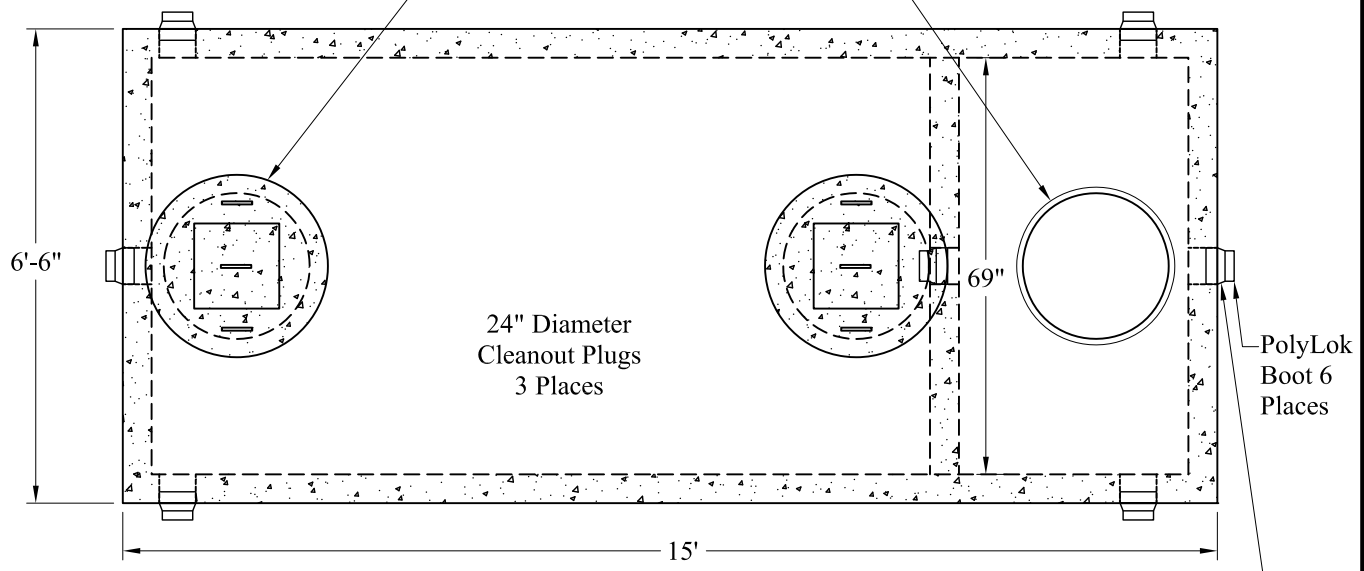
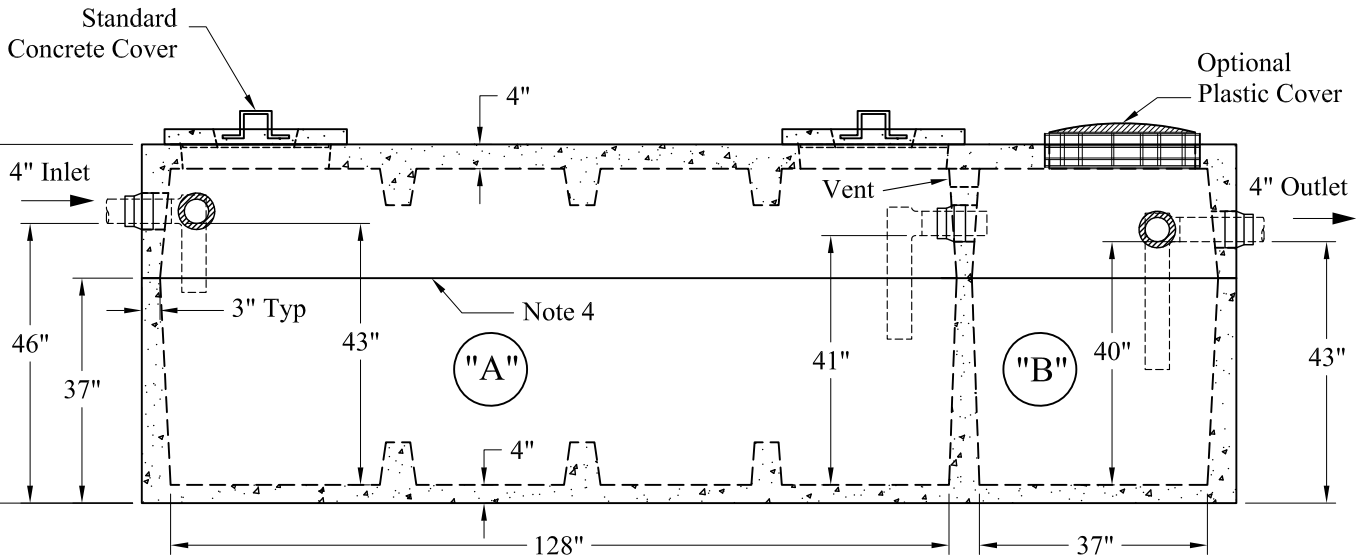


Standard Cover Configuration
Is (3) 24" Dia Concrete Covers

Optional Cover Configuration
Is (3) 24" Dia Plastic Risers
Cast In, With Plastic Covers



NOTE: A Pipe Bushing Will Be Required
On All Boots with Pipes Less Than 4"



General Notes

1. Steel Reinforcement Conforms to Latest ASTM Specifications: ASTM-A615 Grade 60 Rebar
 2. Concrete: $f_c = 4,000$ psi @ 28 Days Minimum
 3. Flexible Sleeves Used On All Pipe Openings
 4. Butyl Rubber Joint Sealant Provided
 5. Internal PVC Baffles Available
- Inlet: Shall Penetrate at Least 9" Below the Liquid Level, But Not Deeper Than the Outlet Baffle.
- Outlet: Shall Extend Below the Surface of the Liquid Equal to 40% of the Liquid Depth (17").
6. LD Tanks: 3' Cover Max, Non-Traffic

"A" Liquid Level = 473 Gals/VF (39 Gals/In)

"B" Liquid Level = 143 Gals/VF (12 Gals/In)

"A" = 1,618 Gals

"B" = 475 Gals

Total = 2,093 Gals

Est Weight:

Top: 9,440 Lbs

Base: 11,790 Lbs

Total: 21,230 Lbs

**Phoenix
Precast
Products**

**1,600 / 450 Gallon LD
2 Compartment Tank**

P/N: ST-1600/450LD

Concord, NH 03301