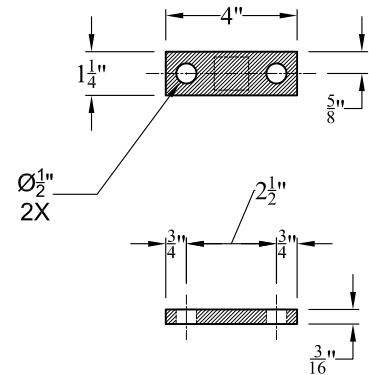
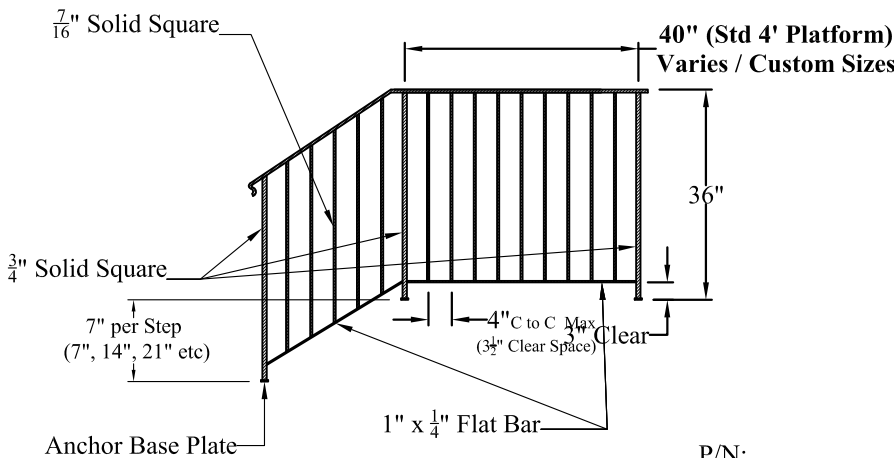
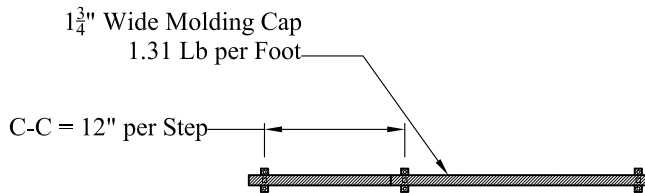
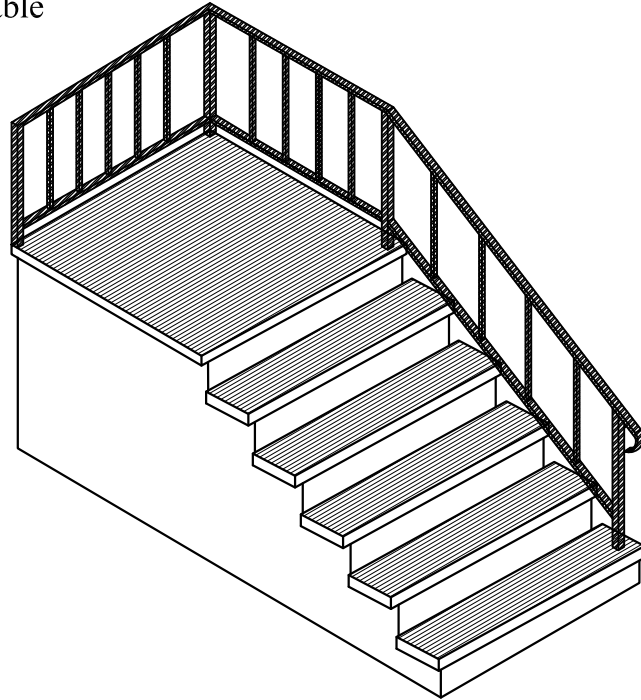


Bolt-On Wrought Iron Railings Available
For Left or Right Hand Entry



Anchor Base Plate
(NTS)

P/N:	Side Entry Left	Side Entry Right
Straight Entry	PSSERL-PLT	PSSERR-PLT
PSR-PLT	PSSERL-2R	PSSERR-2R
PSR-2R	PSSERL-3R	PSSERR-3R
PSR-3R	PSSERL-4R	PSSERR-4R
PSR-4R	PSSERL-5R	PSSERR-5R
PSR-5R	PSSERL-6R	PSSERR-6R
PSR-6R		

General Notes

- 1.) Step Rise: 7"
- 2.) Step Depth: 12"
- 3.) Standard Step Landing: 4'
Custom Sizes Available
- 4.) Black Enamel Finish Standard

Phoenix
Precast
Products

Wrought Iron
Step Rail For
4' / 5' / 6' Wide

P/N: See Above