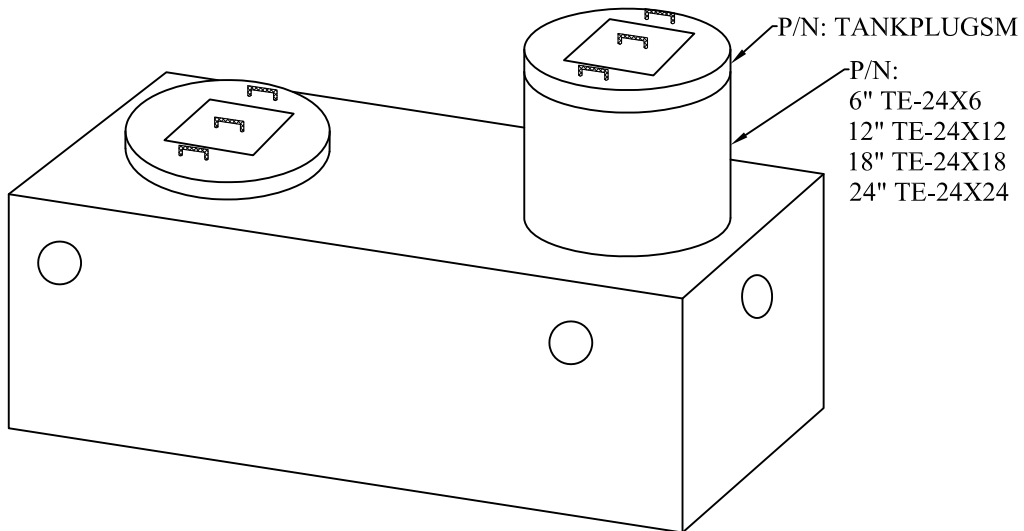


Typical Tank Recess



General Notes

- 1.) Concrete: $f_c = 4,000$ psi @ 28 Days Minimum
- 2.) Butyl Rubber Joint Sealant Provided

Phoenix
Precast
Products

Tank Extension
Assembly

P/N: See Above

Concord, NH 03301