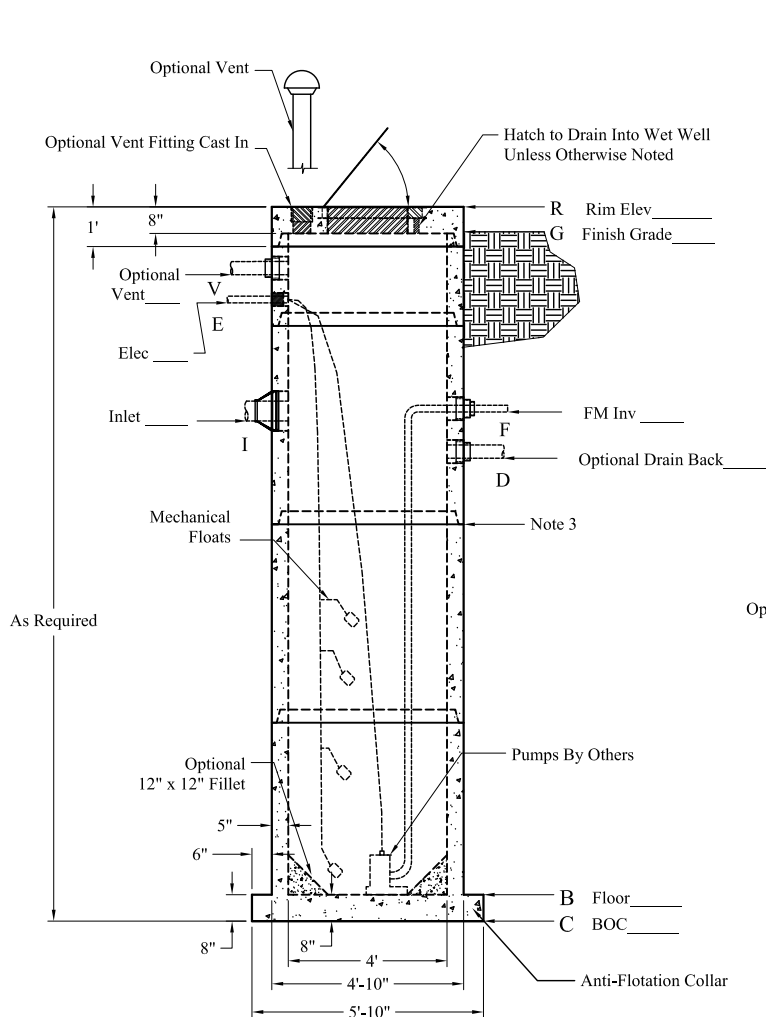


Phoenix Precast Products

Phoenix Precast Products

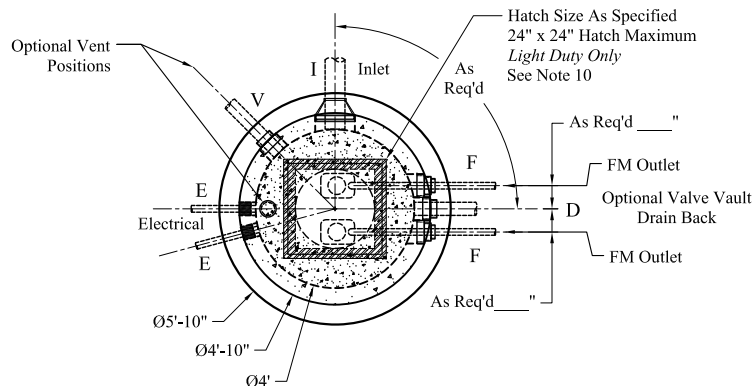
Pipe Chart			
	Pipe	Pipe OD	Connection
V			
E			
I			
F			
D			
B			

Elevation Chart		
	Description	Elevation
R	Rim	
G	Finish Grade	
V	Vent	
E	Electric Connection(s)	
I	Inlet	
F	Force Main Outlet	
D	Drain Back from Valve Vault	
B	Inside Bottom Floor	
C	Outside Bottom of Concrete	



- 1.) Steel Reinforcement Conforms To Latest ASTM Specifications:  
ASTM A-615 Grade 60 Black Deformed Bars  
ASTM A-185 Welded Wire Fabric
- 2.) Concrete:  $f_c = 5,000$  PSI @ 28 Days Minimum, Type III Cement
- 3.) Butyl Rubber Joint Sealant Conforms to ASTM C-990 and Federal Spec SS-S-210A.
- 4.) Flexible Connection Provided For All Pipe Connections.
- 5.) All Pumps, Mounting Hardware, and Related Ancillary Equipment Provided by Others.
- 6.) Liquid Capacity = 94 Gallons/Vertical Foot (8 Gallons/Inch)
- 7.) HS-20 Design Loading Conforms to Latest Specifications ASTM C478, AASHTO M199 Precast Reinforced Concrete Manhole Sections
- 8.) Hatch to Drain Into Wet Well Unless Otherwise Noted
- 9.) Based on Structural & Bouyancy Considerations, This Base Design May be Used with Pump Stations up to 15 Feet Deep Without Additional Engineering.
- 10.) Contact Phoenix for Hatch Requirements Exceeding these Dimensions

- Options:
- LinkSeal Pipe Connections
  - LinkSeal Electrical Connections
  - Exterior Damp Proofing/Water Proofing
  - Interior Coatings
  - Interior Fillet
  - Exterior Joint Wrap
  - Safety Net, Safety Grate
  - Winch Socket
- Est Weights:
- Top Slab: 2,000 Lbs
  - Risers: 865 Lbs/VF
  - 1' x 1' x 4'Ø Fillet: 700 Lbs
  - Ext Base Slab: 2,655 Lbs



<b>Phoenix Precast Products</b>	<b>4' Diameter Pump Station Wet Well Extended Base</b>
	P/N: Custom As Required