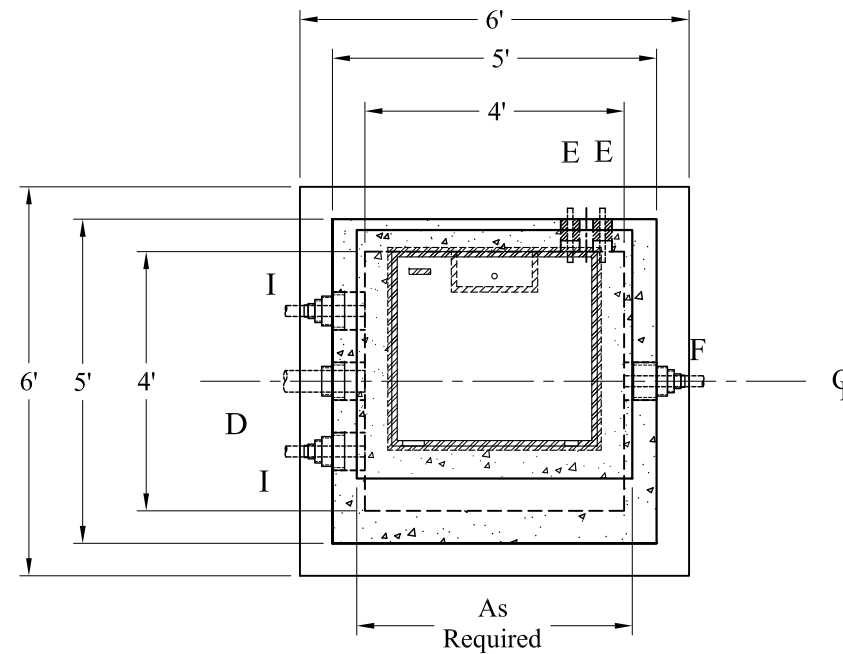


Phoenix Precast Products

Phoenix Precast Products

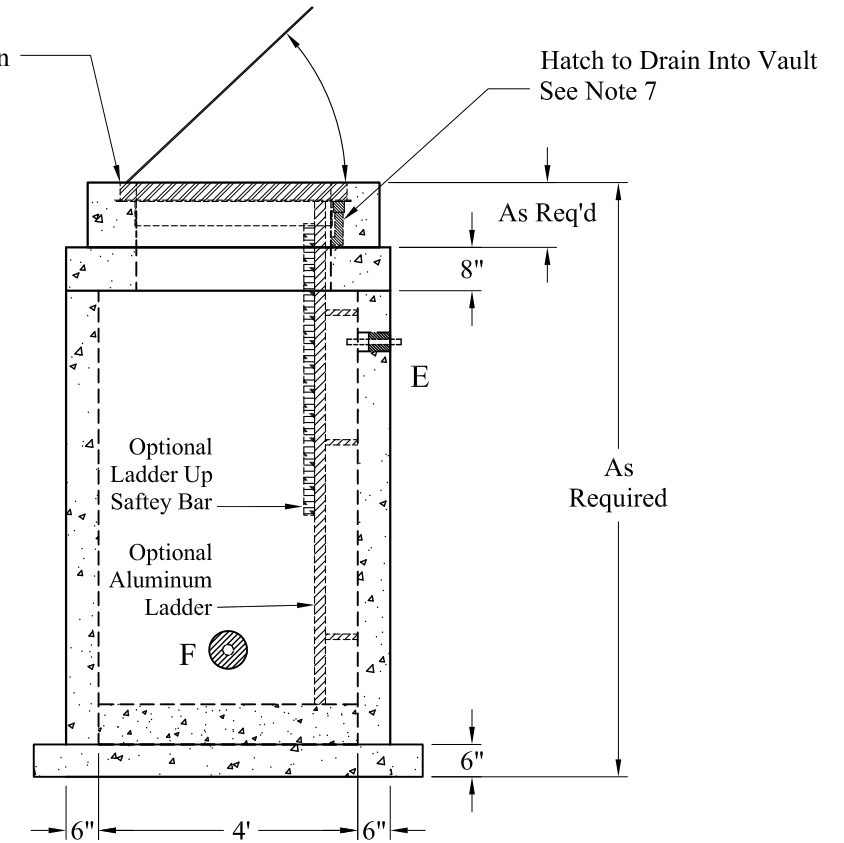
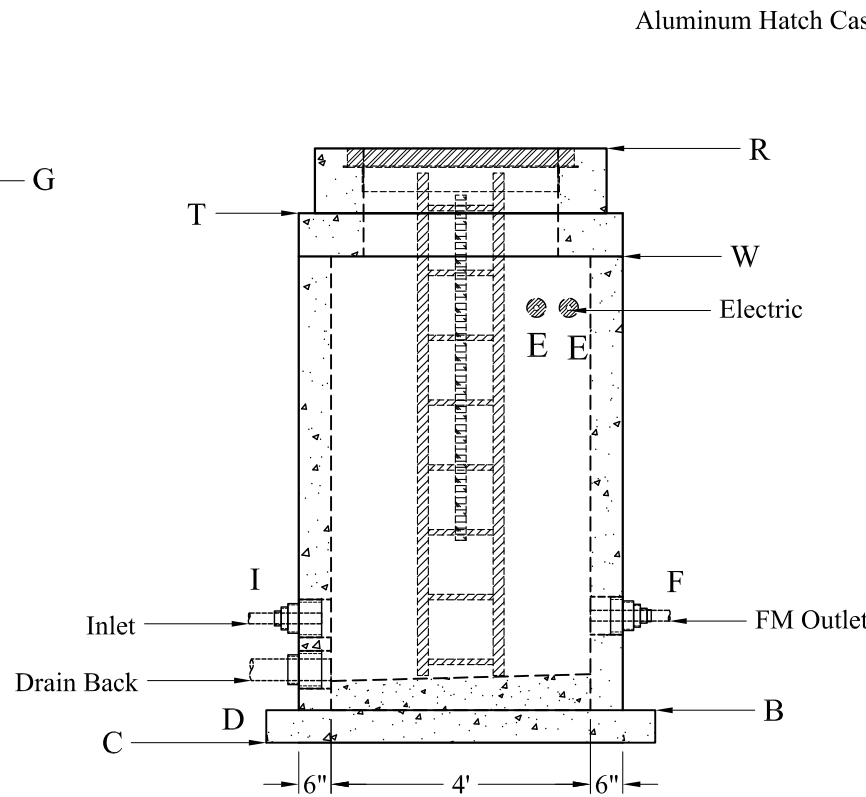
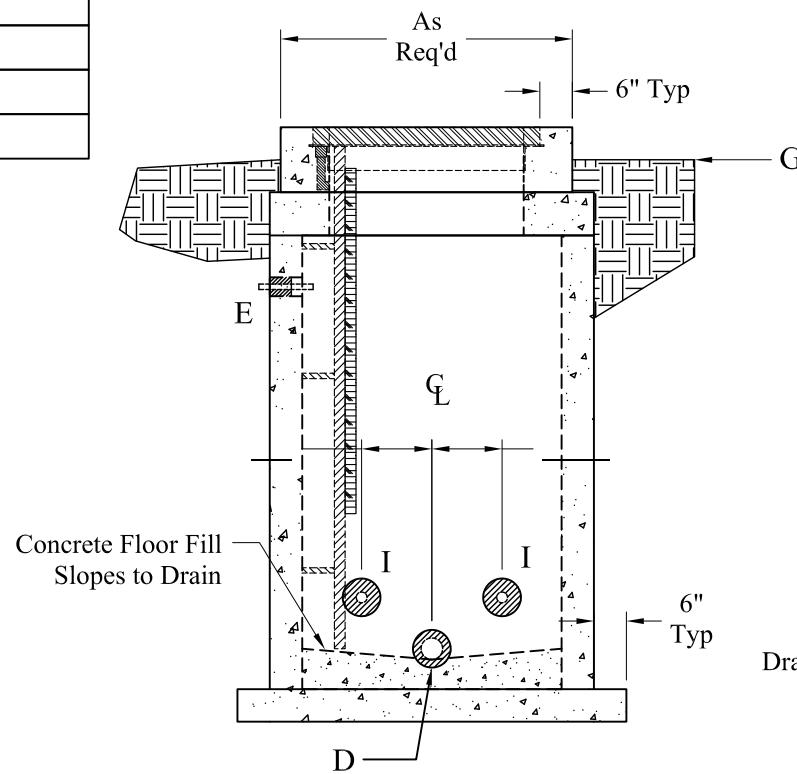
Pipe Chart		
Pipe	Pipe OD	Connection
E		
I		
F		
D		

Elevation Chart	
Description	Elevation
R	Rim
G	Finish Grade
E	Electric Connection(s)
I	Inlet
F	Force Main Outlet
D	Drain Back to Pump Station
B	Inside Bottom Floor
C	Outside Bottom of Concrete
W	Top of Wall
T	Top of Concrete



- 1.) Steel Reinforcement Conforms To Latest ASTM Specifications: ASTM A-615 Grade 60 Black Deformed Bars
- 2.) Concrete: $f_c = 5,000$ PSI @ 28 Days Minimum, Type III Cement
- 3.) Butyl Rubber Joint Sealant Conforms to ASTM C-990 and Federal Spec SS-S-210A.
- 4.) Flexible Connection Provided For All Pipe Connections. See Table.
- 5.) All Valves, Mounting Hardware, and Related Ancillary Equipment Provided by Others.
- 6.) AASHTO-HS20-44 Design Loading Conforms to Latest Specifications ASTM C 890 & C 913
- 7.) Hatch to Drain Into Vault Unless Otherwise Noted
- 8.) Bouyancy Calculations Provided With Shop Drawing Submittal
- 9.) Optional Asphalt Coating Applied to All Exterior Surfaces Except Top Slab
- 10.) Optional Aluminum Ladder Available

- Options:
- LinkSeal Pipe Connections
 - LinkSeal Electrical Connections
 - Exterior Damp Proofing/Water Proofing
 - Interior Coatings
 - Sloped Floor
 - Exterior Joint Wrap
 - Safety Net, Safety Grate
- Est Weights:
- Top Slab: 2,500 Lbs
 - Risers: 1,332 Lbs/VF
 - Sloped Floor: 1,200 Lbs
 - Base Slab: 2,665 Lbs



Phoenix Precast Products	Typical 4' x 4' Valve Vault Extended Base
	P/N: Custom As Required