

Phoenix Precast Products

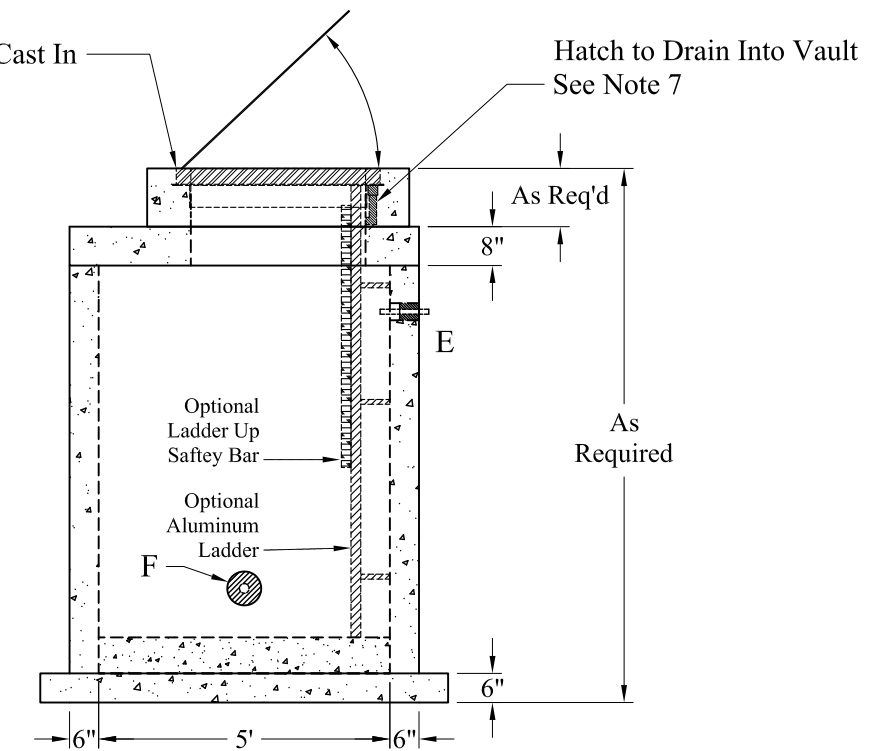
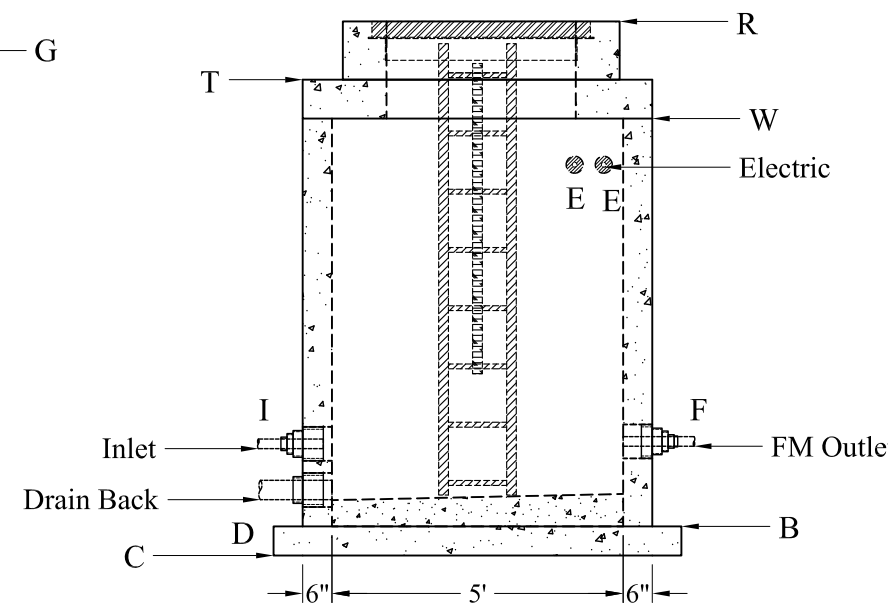
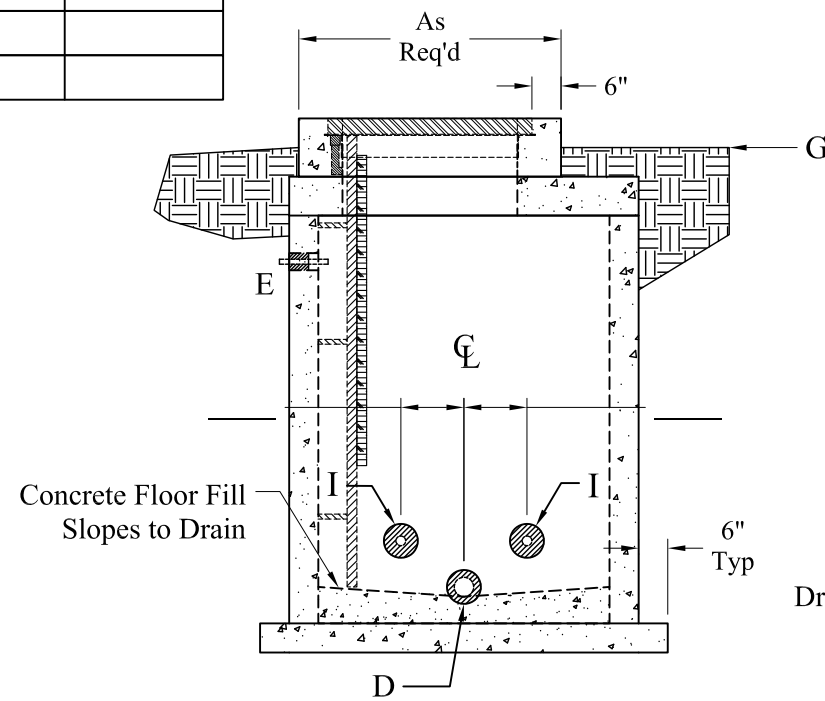
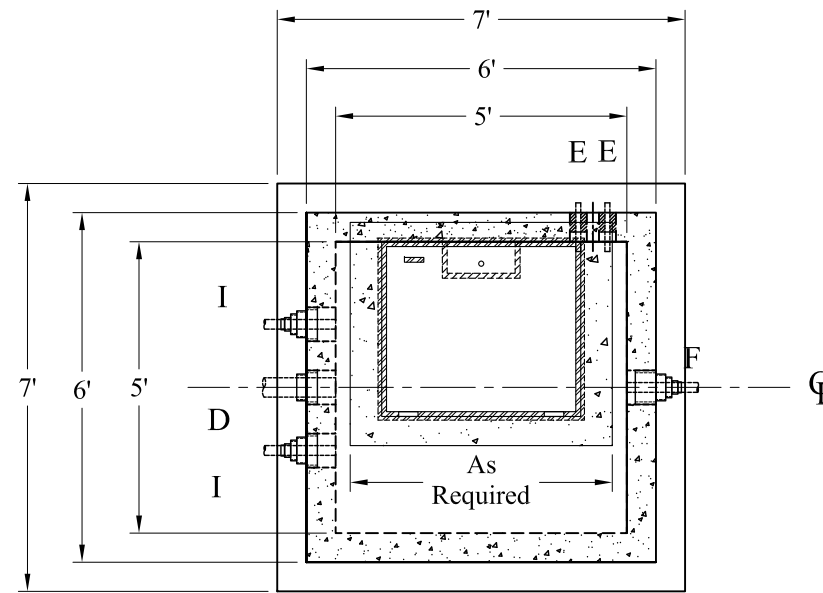
Phoenix Precast Products

Pipe Chart		
	Pipe	Connection
E		
I		
F		
D		

Elevation Chart	
Description	Elevation
R	Rim
G	Finish Grade
E	Electric Connection(s)
I	Inlet
F	Force Main Outlet
D	Drain Back to Pump Station
B	Inside Bottom Floor
C	Outside Bottom of Concrete
W	Top of Wall
T	Top of Concrete

- 1.) Steel Reinforcement Conforms To Latest ASTM Specifications: ASTM A-615 Grade 60 Black Deformed Bars
- 2.) Concrete:  $f_c = 5,000$  PSI @ 28 Days Minimum, Type III Cement
- 3.) Butyl Rubber Joint Sealant Conforms to ASTM C-990 and Federal Spec SS-S-210A.
- 4.) Flexible Connection Provided For All Pipe Connections. See Table.
- 5.) All Valves, Mounting Hardware, and Related Ancillary Equipment Provided by Others.
- 6.) AASHTO-HS20-44 Design Loading Conforms to Latest Specifications ASTM C 890 & C 913
- 7.) Hatch to Drain Into Vault Unless Otherwise Noted
- 8.) Bouyancy Calculations Provided With Shop Drawing Submittal
- 9.) Optional Asphalt Coating Applied to All Exterior Surfaces Except Top Slab
- 10.) Optional Aluminum Ladder Available

- Options:
- LinkSeal Pipe Connections
  - LinkSeal Electrical Connections
  - Exterior Damp Proofing/Water Proofing
  - Interior Coatings
  - Sloped Floor
  - Exterior Joint Wrap
  - Safety Net, Safety Gate
- Est Weights:
- Top Slab: 3,570 Lbs
  - Risers: 1,630 Lbs/VF
  - Sloped Floor: 1,850 Lbs
  - Base Slab: 3,650 Lbs



Phoenix  
Precast  
Products

Typical 5' x 5'  
Valve Vault  
Extended Base

P/N: Custom As Required