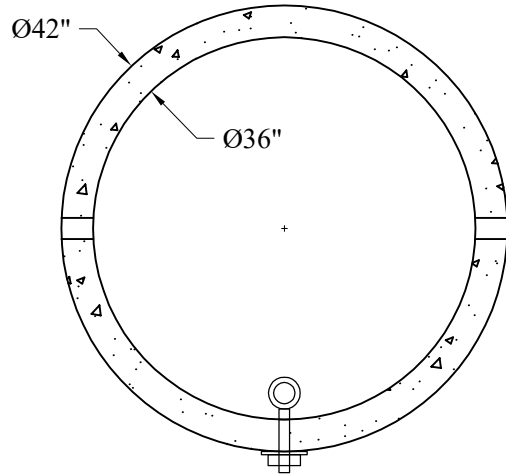
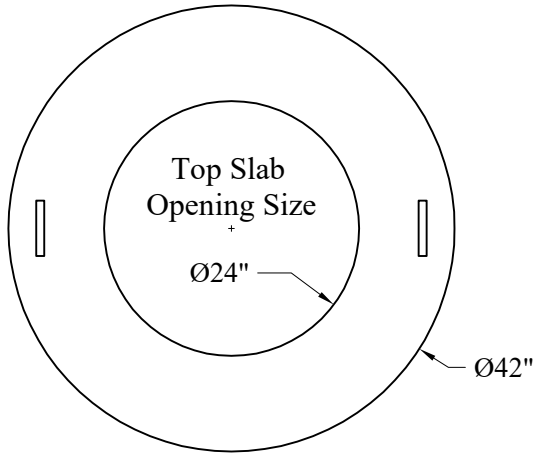


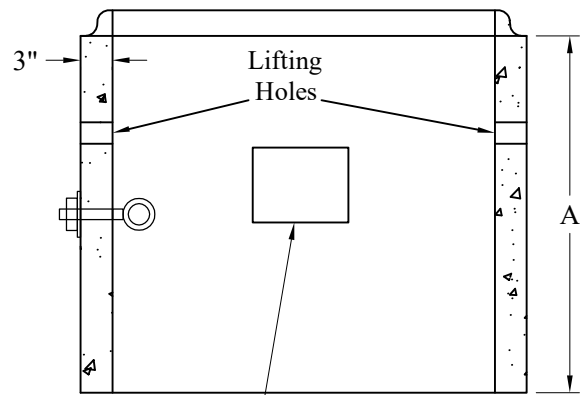
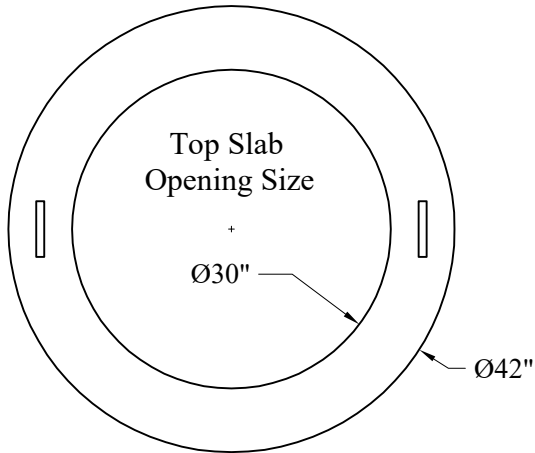
1-800-639-2199

Fax (603) 224-2927

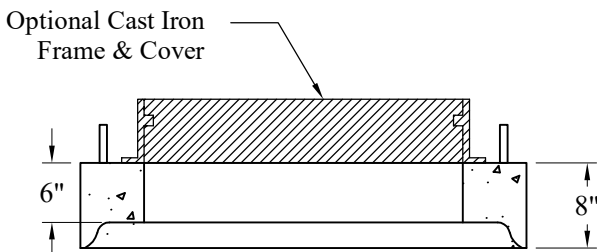
Electrical\Pull Boxes\36 Inch\_Dia\_Pull\_Box (v)



Forged Eye Bolts  
(Available)



Conduit Opening(s)  
Quantity, Location, & Size  
Per Customer Requirements



Optional Top Slabs

Dim "A"	Est Weights:	P/N:
24"	760 Lbs	WT-36X24BB
36"	1,135 Lbs	WT-36X36BB
Cover Dia	Est Weights:	P/N:
24"	322 Lbs	WTC-24DIA
30"	232 Lbs	WTC-30DIA

**General Notes**

- 1.) Concrete fc: 4,000 psi @ 28 Days Minimum
- 2.) Reinforcement Steel:  
ASTM A185 Welded Wire Fabric  
ASTM A615 Grade 60 Rebar
- 3.) Design Loading: AASHTO-HS20-44
- 4.) See Phoenix Pullbox Accessory Sheet for Available Options

Phoenix  
Precast  
Products

36" Diameter  
Pull Box

ASSY P/N: WT-36PBX

Phoenix Precast Products

Phoenix Precast Products