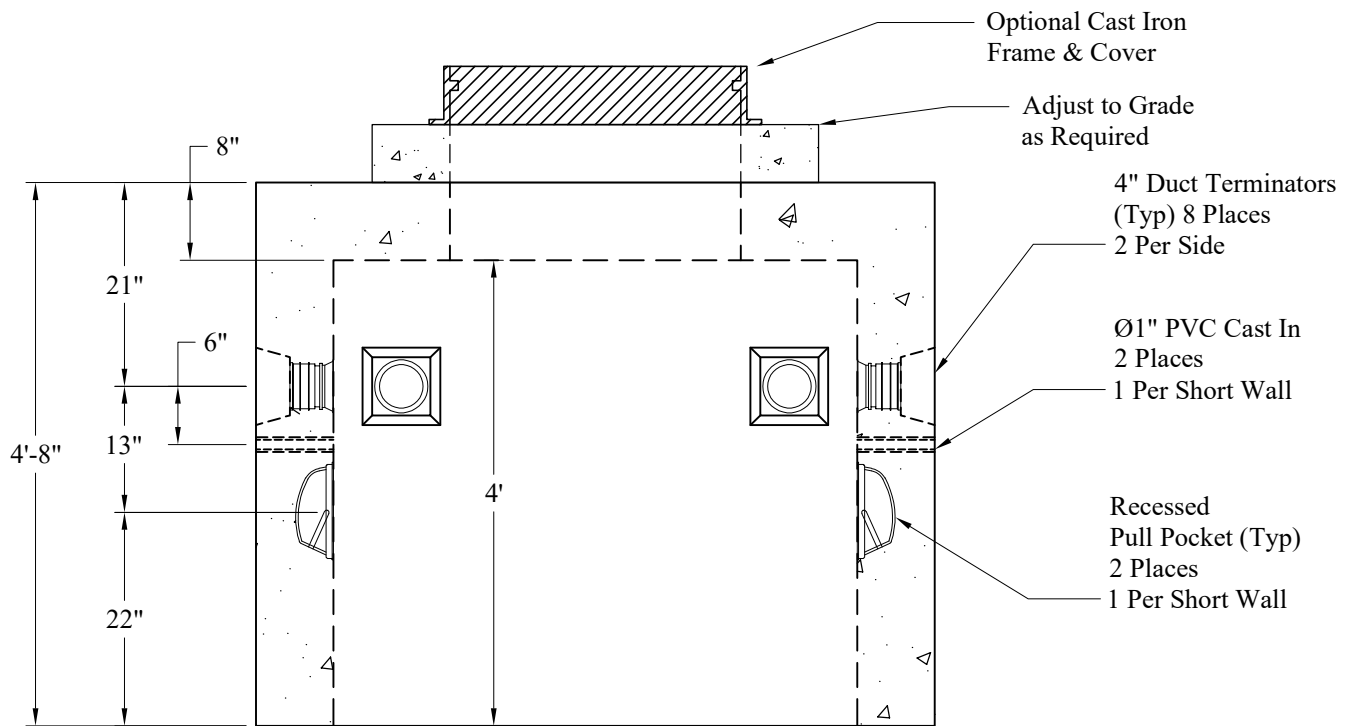


**4" Duct Terminator
T-4501 4.50" ID
Mounted On 8" Wall**



Optional Cast Iron
Frame & Cover

Adjust to Grade
as Required

4" Duct Terminators
(Typ) 8 Places
2 Per Side

Ø1" PVC Cast In
2 Places
1 Per Short Wall

Recessed
Pull Pocket (Typ)
2 Places
1 Per Short Wall

Est Weight: 9,200 Lbs

General Notes

- 1.) Concrete fc: 5,000 psi @ 28 Days Minimum
- 2.) Reinforcement Steel: ASTM A615 Grade 60 Rebar
- 3.) Design Loading: AASHTO-HS20-44
- 4.) Modified Openings per Job Specifications are Available

Phoenix
Precast
Products

38" x 54" x 48"
Pull Box

P/N: HH-38X54X48

Concord, NH 03301