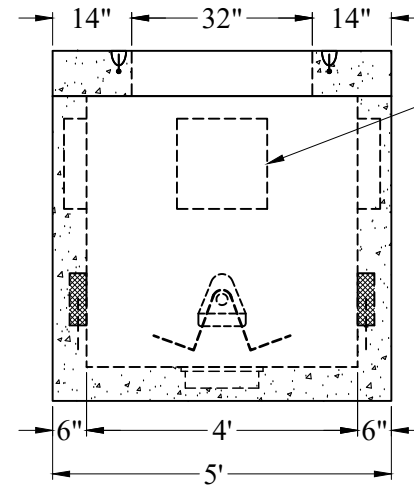
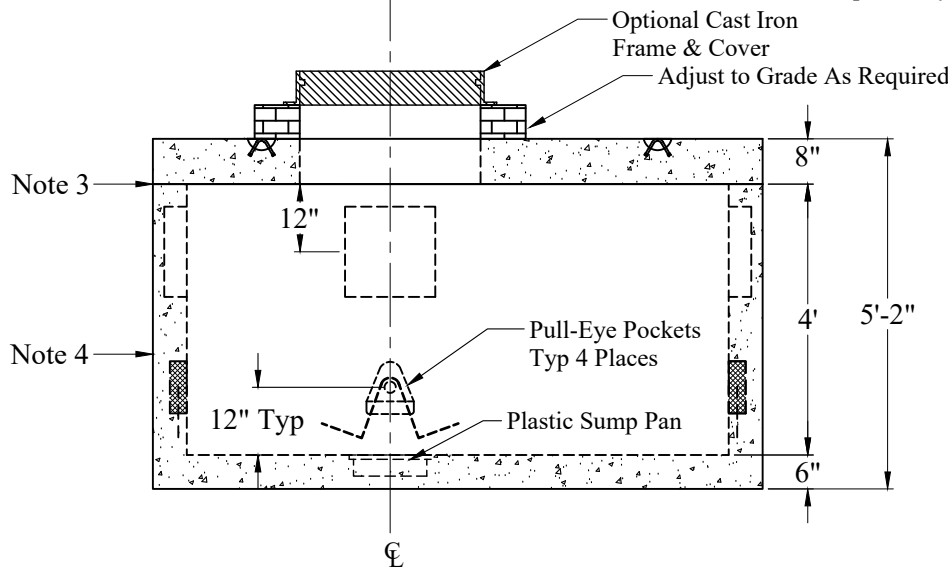
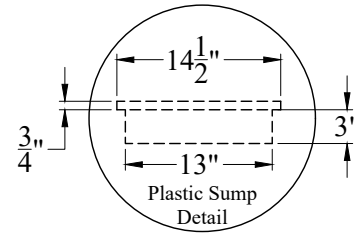


1. Concrete: $f_c = 5,000$ psi @ 28 Days Minimum
2. Reinforcing Steel: ASTM-A615 Grade #60
3. Butyl Rubber Joint Sealant Provided
4. LN-12 Exterior Damp-Proofing Applied
5. All Cable Racks, Ground Rods, Split Bolts
J-Hooks, And Misc. Cast-Ins Supplied By Others
6. Meets HL-93 Wheel Loading



NH DOT 614.51823

Est Weights:
 Top Slab: 4,000 Lbs
 Base: 10,440 Lbs
 Total Weight: 14,440 Lbs

Phoenix Precast Products

Phoenix Precast Products

Phoenix
Precast
Products

NH DOT 4' x 8' x 4'
Fiber Optic
Splice Vault

P/N: NHDOT-4X8X4FOSV