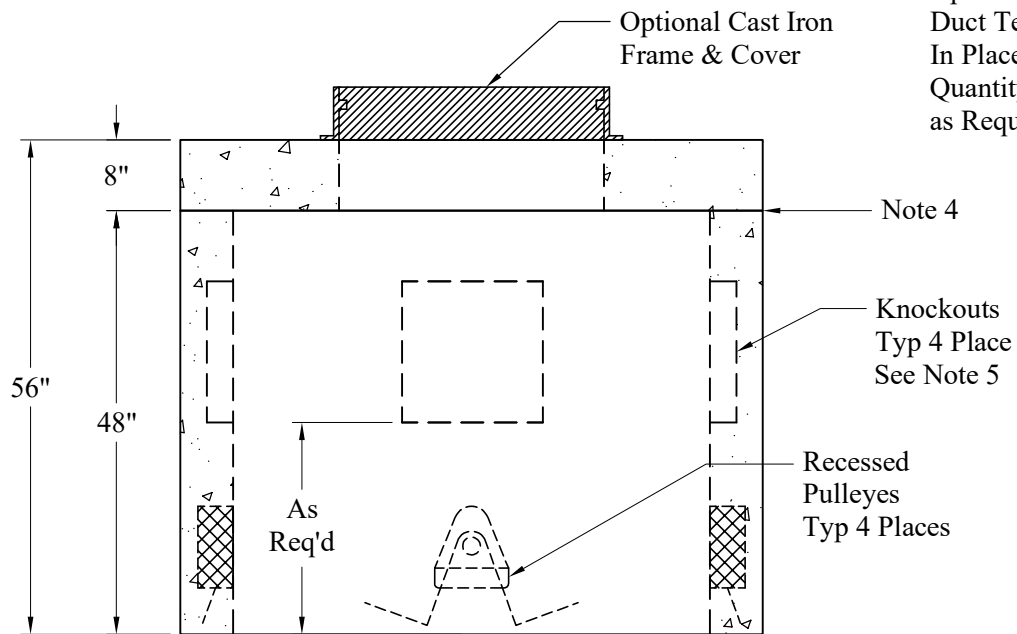


Optional
Duct Terminators
In Place of Knock-outs.
Quantity & Elevation
as Required



Est Weights:

Top Slab -	2,520 Lbs
Base -	5,925 Lbs
Total Weight:	8,445 Lbs

General Notes

1. Concrete: $f_c = 5,000$ psi @ 28 Days Minimum
2. Reinforcing Steel: ASTM-A615 Grade #60
3. Design Loading: AASHTO-HS20-44
4. Butyl Rubber Joint Sealant Provided
5. Openings per Job Specifications are Available

**Phoenix
Precast
Products**

**54" x 54" x 48"
Pull Box**

P/N: 54X54X48