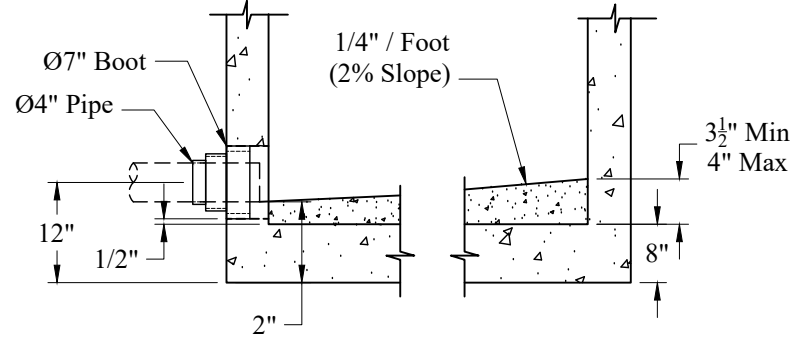


Phoenix Precast Products

Phoenix Precast Products

Pipe Chart			
	Pipe	Pipe OD	Connection
I			
O			
D			
E			

Elevation Chart	
Description	Elevation
R	Rim
G	Finish Grade
B	Inside Bottom Floor
C	Outside Bottom of Concrete
D	Floor Drain
E	Electrical Conduits

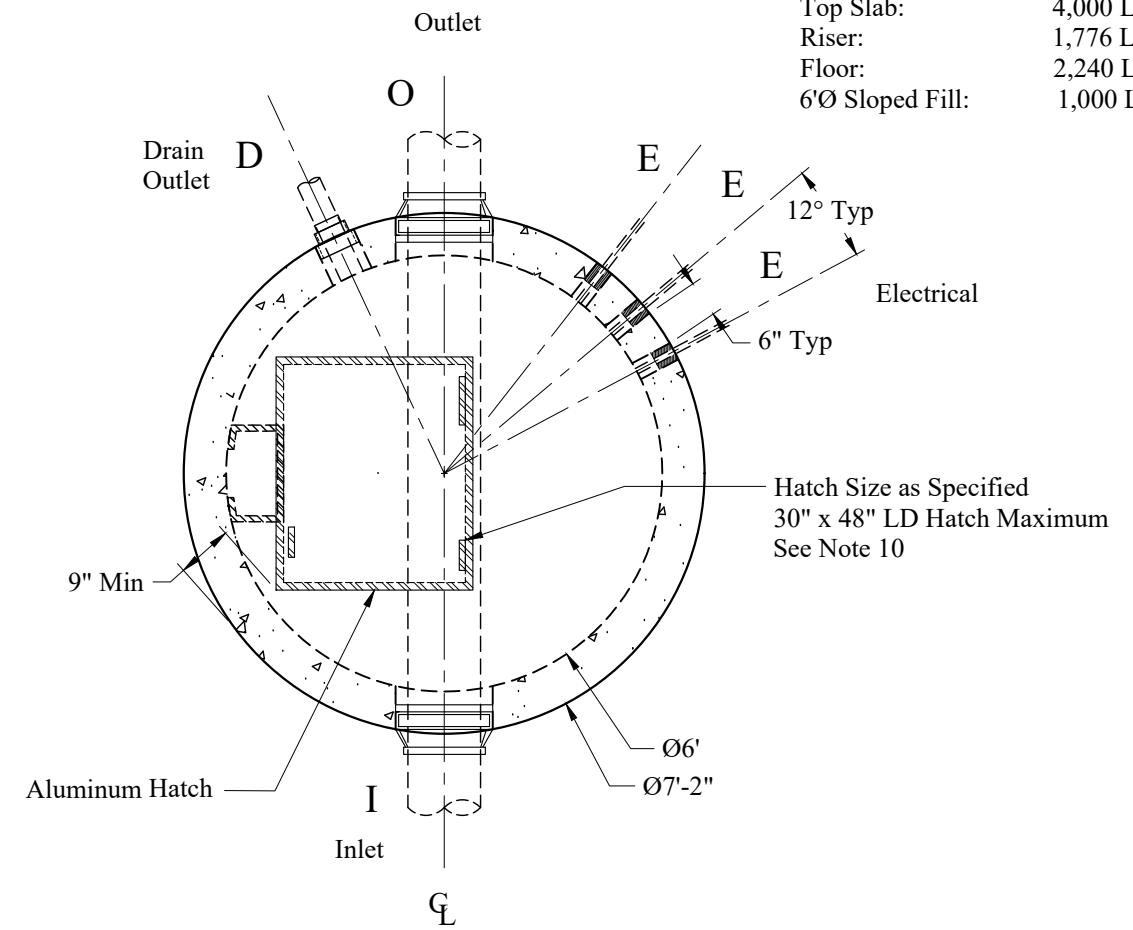
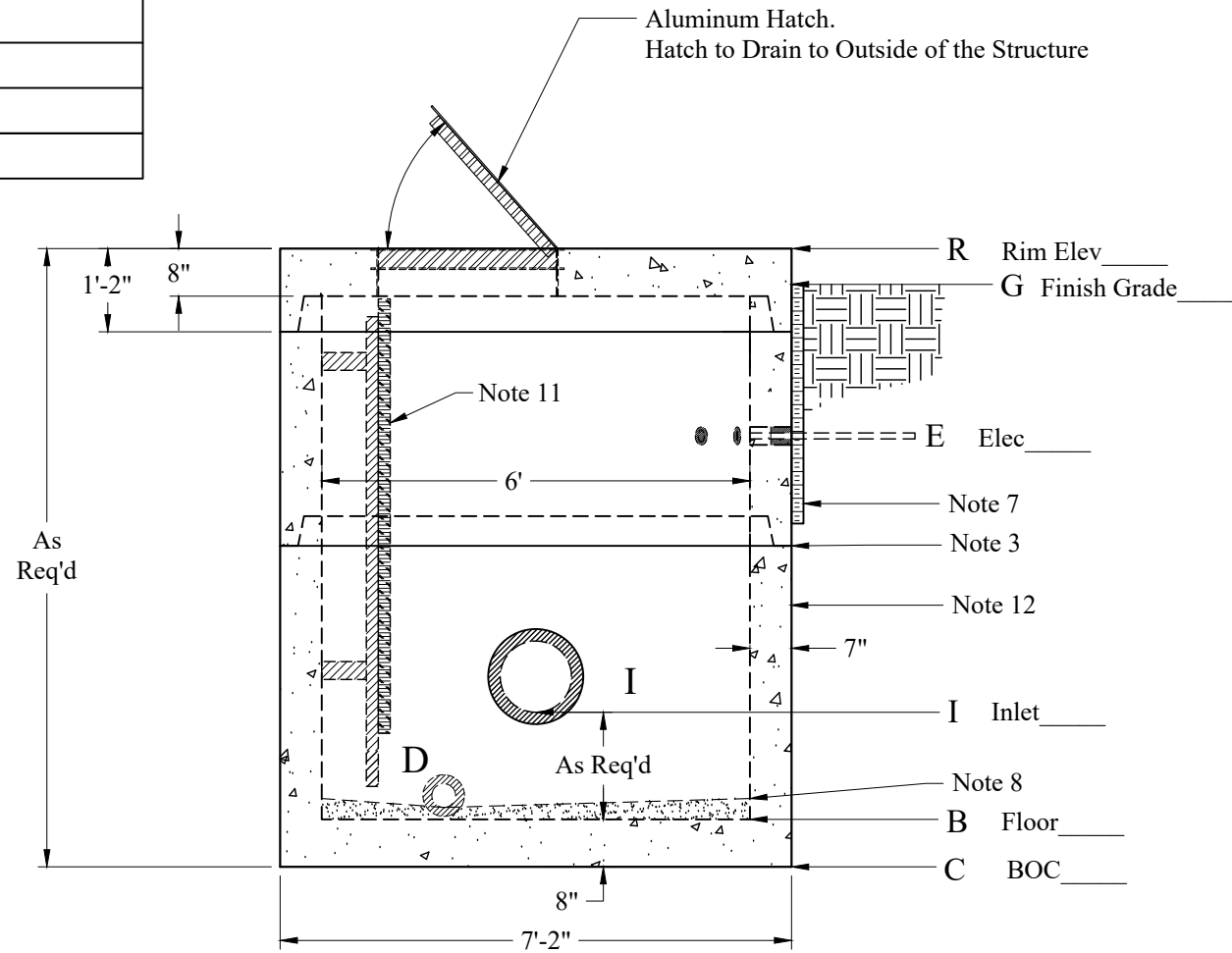


Detail of Sloping Floor & Drain (NTS)

- 1.) Steel Reinforcement Conforms To Latest ASTM Specifications:
ASTM A-615 Grade 60 Black Deformed Bars
ASTM A-185 Welded Wire Fabric
- 2.) Concrete: f'c = 5,000 psi @ 28 Days Minimum, Type III Cement
- 3.) Butyl Rubber Joint Sealant Conforms to ASTM C-990 and Federal Spec SS-S-210A.
- 4.) All Meters, Mounting Hardware, and Related Ancillary Equipment Provided by Others.
- 5.) HS-20 Design Loading Conforms to Latest Specifications ASTM C478, AASHTO M199 Precast Reinforced Concrete Manhole Sections
- 6.) Aluminum Hatch. Hatch to Drain to Outside of Structure
- 7.) Exterior Insulation by Others
- 8.) Sloped Floor to Slope 1/4"/Foot Towards Drain Minimum
- 9.) Pipe Connections: Flexible Boot or Link-Seal. See Chart.
- 10.) Contact Phoenix for Hatch Requirements Exceeding These Dimensions
- 11.) Aluminum Ladder Available
- 12.) Asphaltic Exterior Coating Available

Est Weights:

Top Slab:	4,000 Lbs
Riser:	1,776 Lbs/VF
Floor:	2,240 Lbs
6'Ø Sloped Fill:	1,000 Lbs



Phoenix Precast Products	6' Diameter Meter Manhole (Detailed)
	P/N: Custom As Required