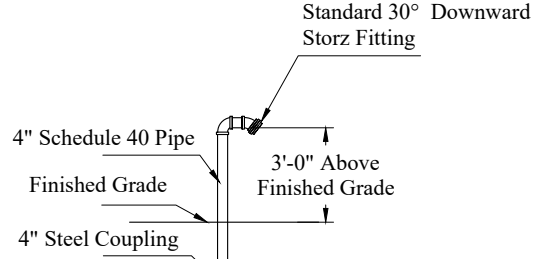
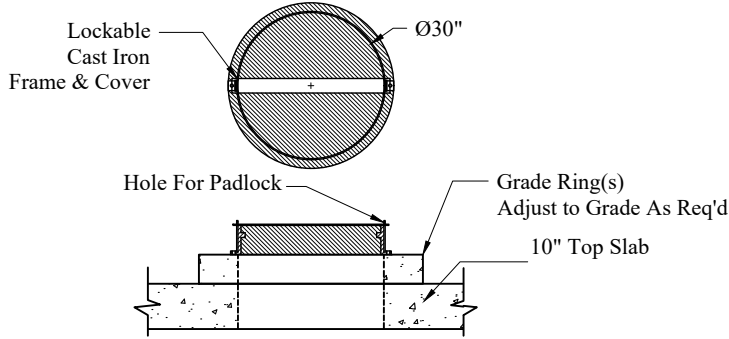


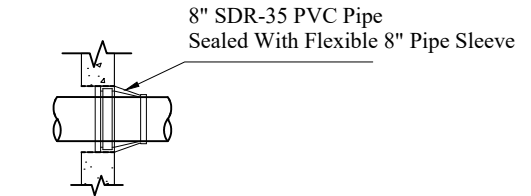
Standard Access To Finished Grade



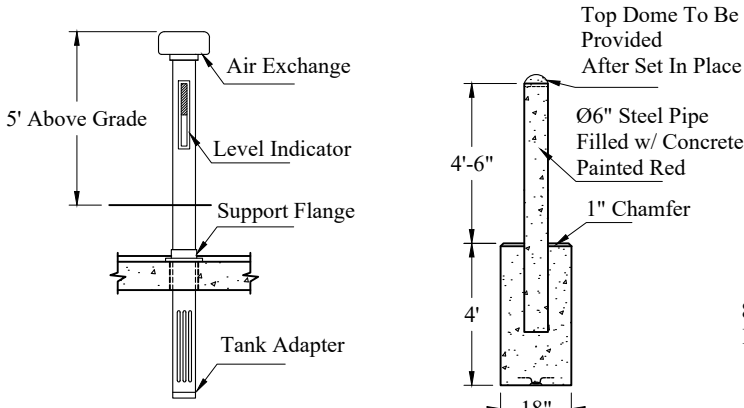
Fill Assembly



Optional Access To Finished Grade

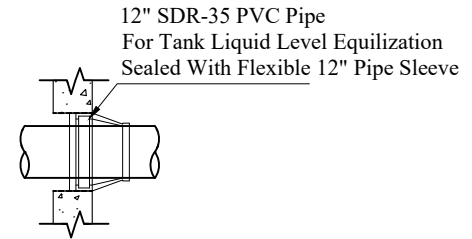


8" Interconnection Vent Pipe

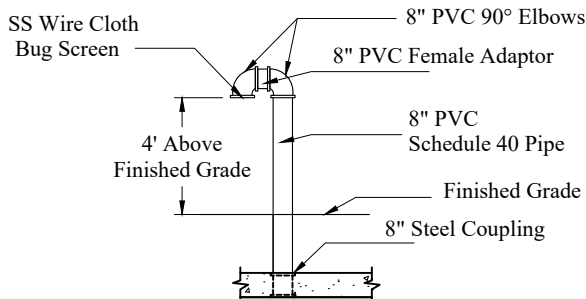


Vent and Liquid Level Indicator

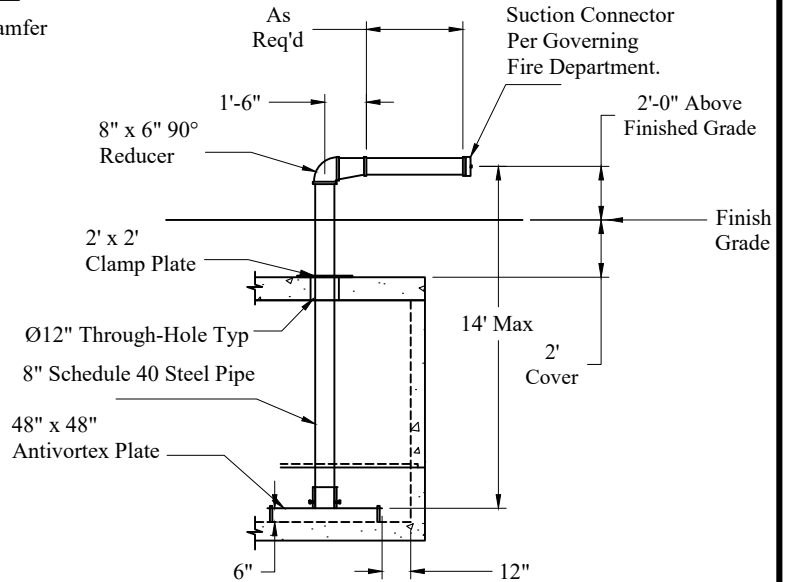
Typical Bollard



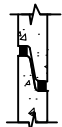
12" Interconnection Equalization Pipe



Vent Assembly



Details Not To Scale



Note:
Butyl Rubber Section Joint Conforms To Latest ASTM C443 Spec. And Federal Spec. SS-S-210A

Butyl Rubber Joint

Note: Detailed Drawings Available Upon Request

Phoenix
Precast
Products

Cistern
Accessories

P/N: None

Concord, NH 03301