

General Notes:

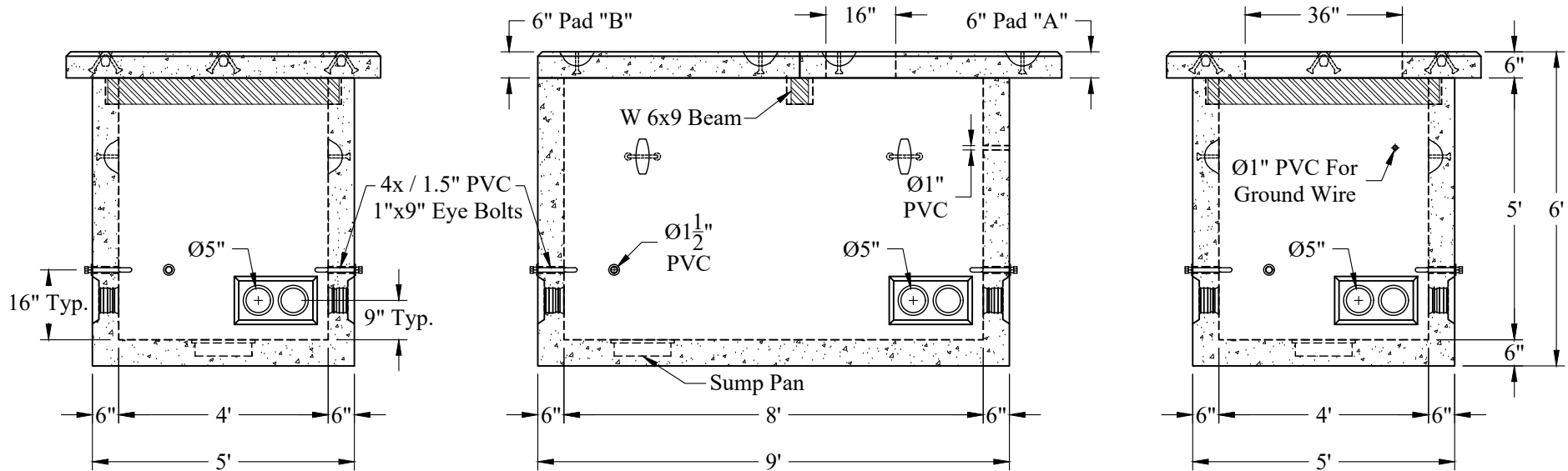
1. Concrete; $f_c = 5,000$ psi @ 28 Days Min.
2. Reinforcing Steel: ASTM-A615 Grade #60.
3. Design Loading: AASHTO-H10
4. Pulleys = $\text{Ø}1\frac{1}{4}$ " Eyebolt w/ Galv Steel Washer.
5. Built to Green Mountain Power Spec K30.2

Est. Weight:

Pad "A":	1,950 Lbs
Pad "B":	2,250 Lbs
Vault:	13,000 Lbs
Total:	17,200 Lbs

Phoenix Precast Products

Phoenix Precast Products



Phoenix Precast Products	Green Mountain Power K30.2 Vault
P/N: GMP-K30.2	