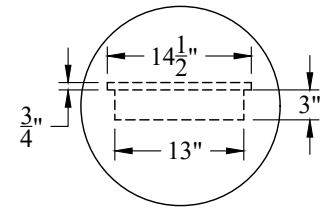


General Notes:

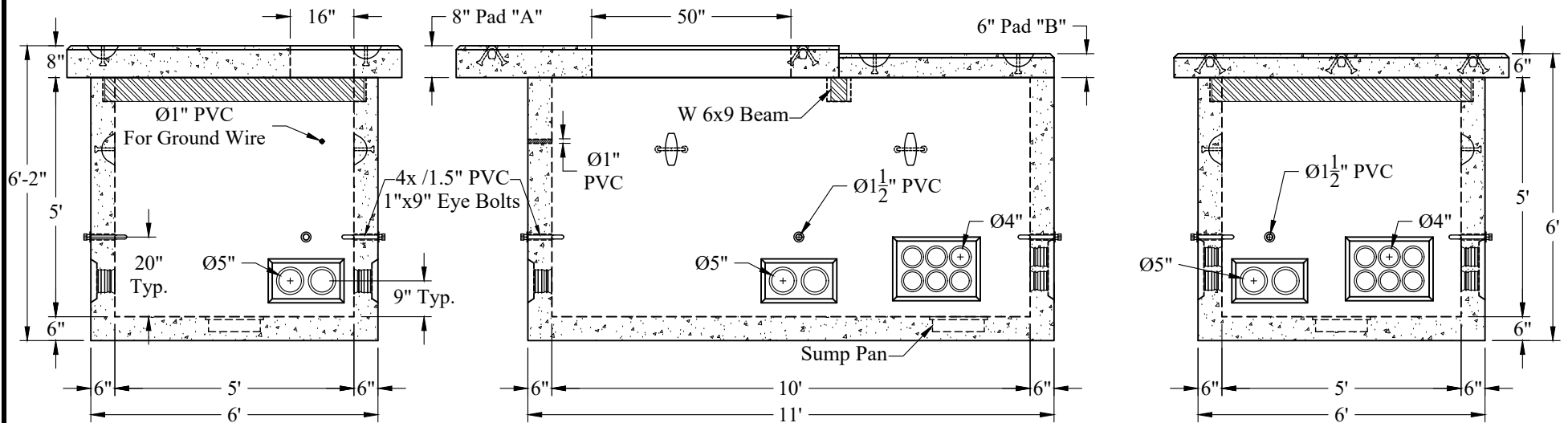
1. Concrete; $f_c = 5,000$ psi @ 28 Days Min.
2. Reinforcing Steel: ASTM-A615 Grade #60.
3. Design Loading: AASHTO-H10
4. Pulleys = $\varnothing 1\frac{1}{4}$ " Eyebolt w/ Galv Steel Washer.
5. Built to Green Mountain Power Spec K30.3

Est. Weight:

Vault:	16,750 Lbs
Pad "A":	5,000 Lbs
Pad "B":	2,300 Lbs
Total:	24,050 Lbs



Sump Pan Detail



Phoenix Precast Products

Phoenix Precast Products

Phoenix
Precast
Products

Green Mountain Power
K30.3 Vault

P/N: GMP-K30.3