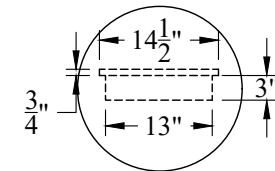
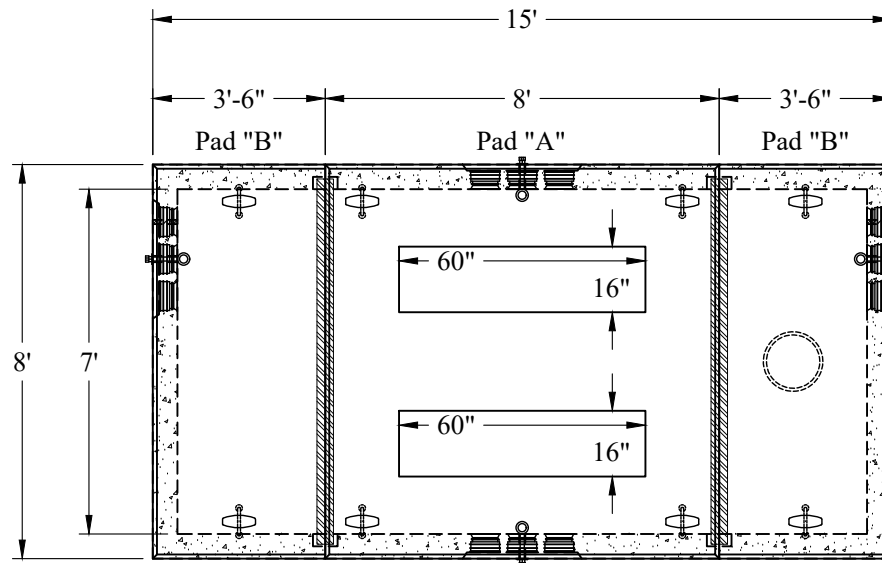


**General Notes:**

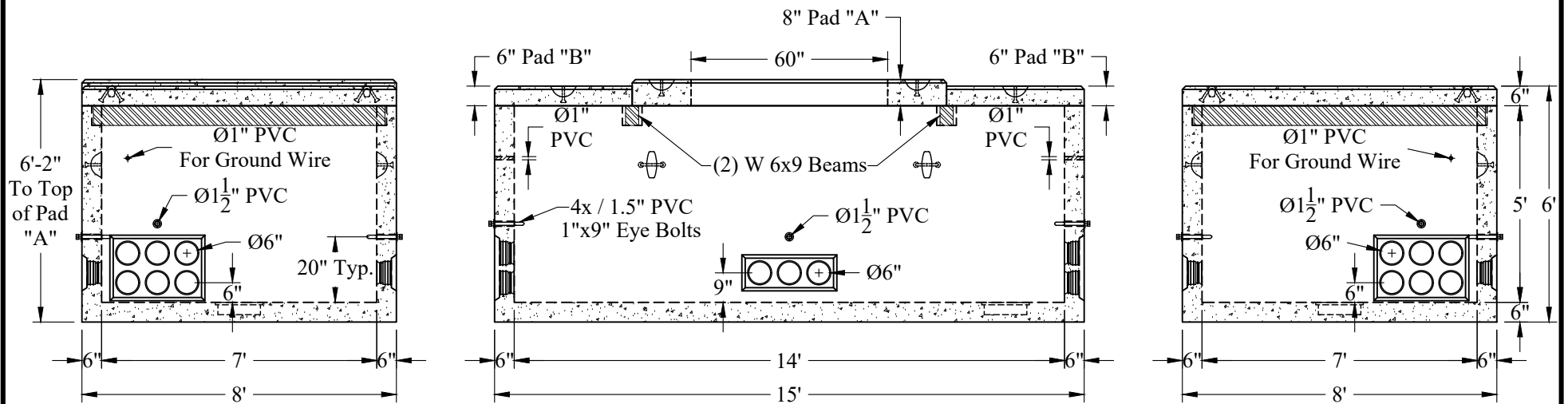
1. Concrete;  $f_c = 5,000$  psi @ 28 Days Min.
2. Reinforcing Steel: ASTM-A615 Grade #60.
3. Design Loading: AASHTO-H10
4. Pulleys =  $\varnothing 1\frac{1}{4}$ " Eyebolt w/ Galv Steel Washer.
5. Built to Green Mountain Power Spec K30.5

**Est. Weight:**

Vault:	25,150 Lbs
Pad "A":	5,000 Lbs
Pad "B":	2,100 Lbs
Pad "B":	2,100 Lbs
<b>Total:</b>	<b>34,350 Lbs</b>



Sump Pan Detail



Phoenix Precast Products

Phoenix Precast Products

Phoenix Precast Products	Green Mountain Power K30.5 Vault
	P/N: GMP-K30.5