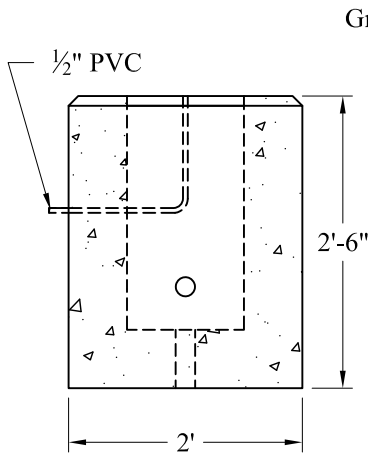
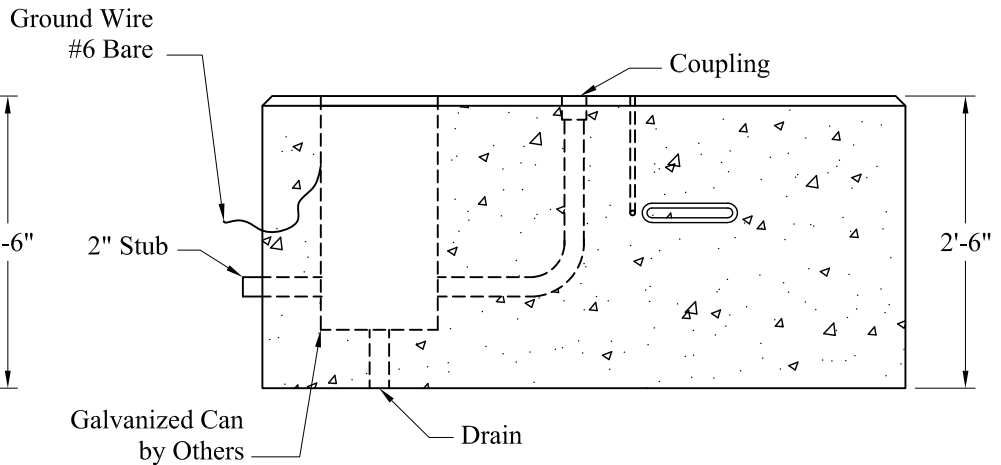


Plan View



End View



Side View

General Notes

1. Concrete: $f_c = 5,000$ psi @ 28 Days Minimum
2. Reinforcing Steel: ASTM-A615 Grade #60 Black Deformed Bars

Phoenix
Precast
Products

Airport
1 MOD, 2 MOD, 3 MOD
Sign Base

P/N: Custom As Required

Concord, NH 03301