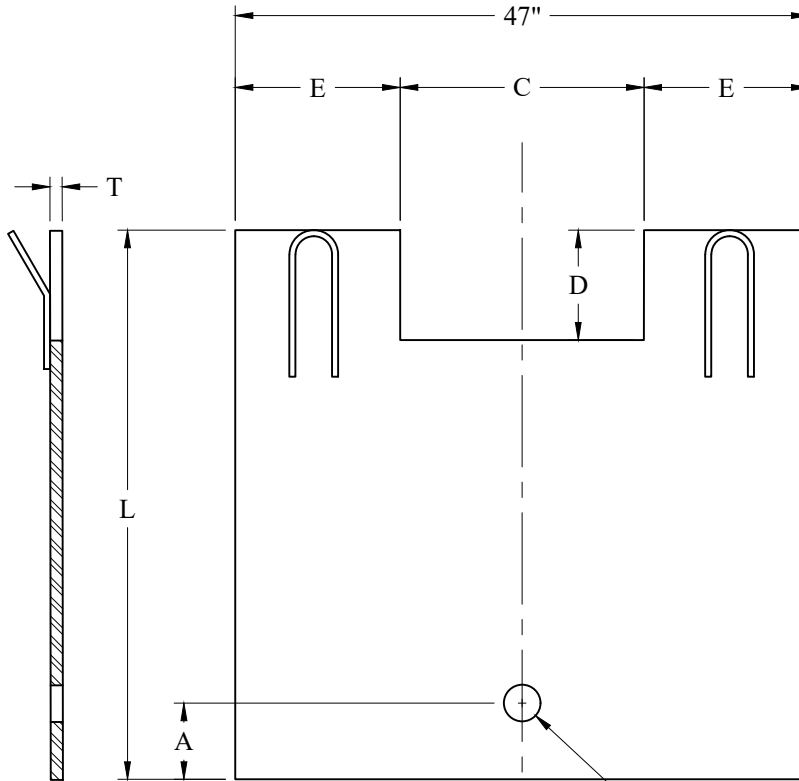
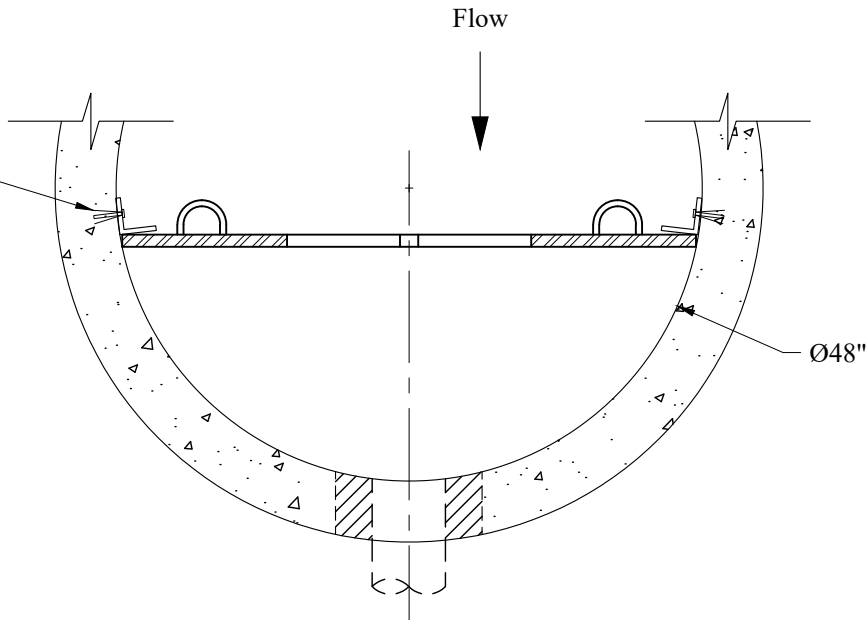


Plate is Secured to Structure with Galvanized Steel Angles and SS 3/8" Dia Concrete Anchor Bolts



Material Options

1. Aluminum 1/4" Plate
2. #316 Stainless Steel 3/16" Plate
3. Steel 1/4" Plate. Finish Options:
 - A. Painted
 - B. Hot Dip Galvanized

Definitions:

- A - Orifice Ctr Elev
- B - Orifice Diameter
- C - Weir Width
- D - Weir Depth
- E - Top Width
- L - Length
- T - Thickness
- M - Material
- F - Finish

Requirements	
A	
B	
C	
D	
E	
L	
T	
M	
F	

Phoenix
Precast
Products

4' ID Notched
Weir Plate

P/N: Custom As Required

Concord, NH 03301