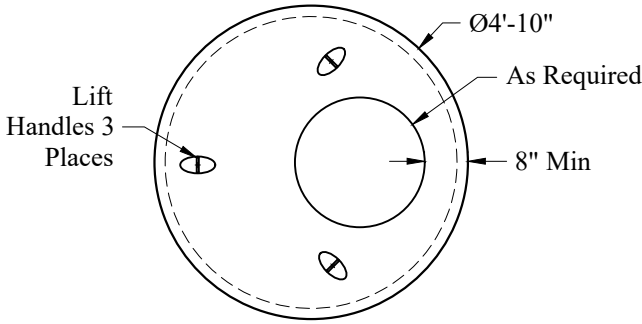


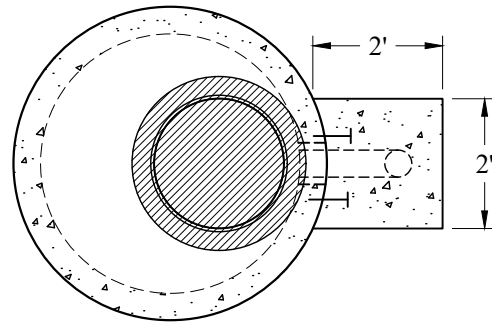
1-800-639-2199

Fax (603) 224-2927

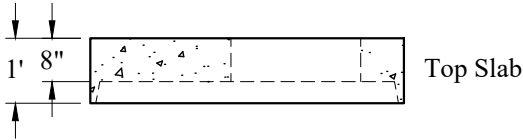
Std Structures\4Ft Dia\Sanitary Manhole(Outside Drop)



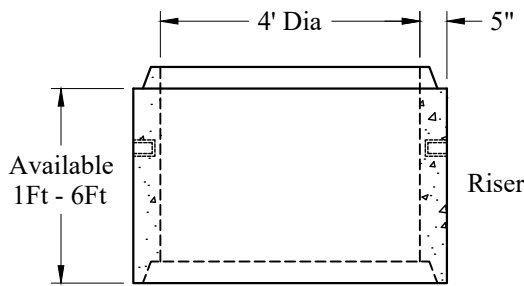
Plan View - Top Slab



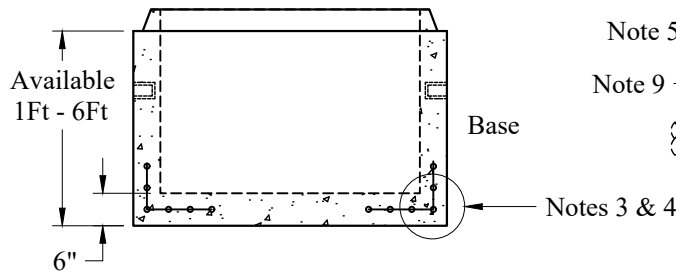
Plan View



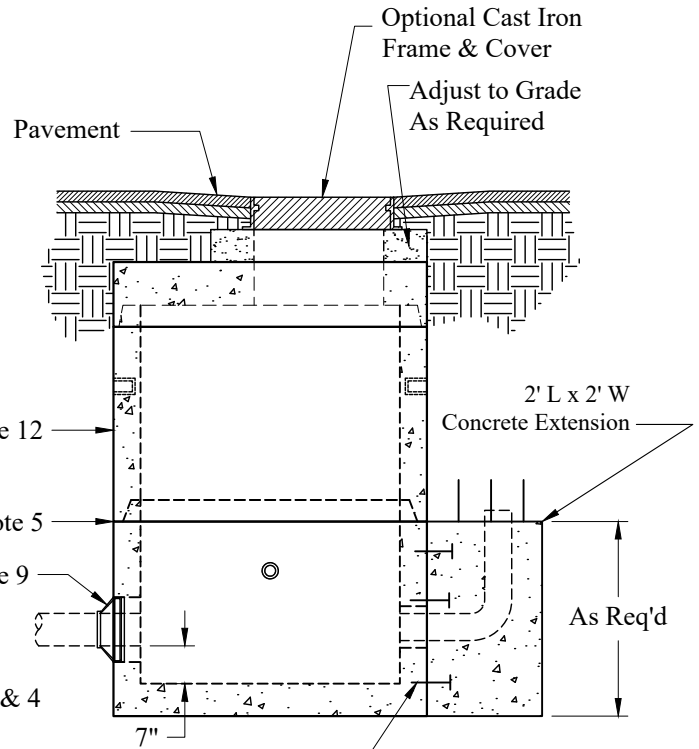
Top Slab



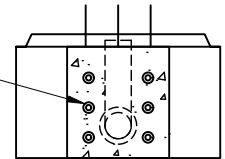
Riser



Base



1/2" x 5" SST Anchors  
Tie Rebar to Anchors



**General Notes**

1. Concrete:  $f_c = 4,000$  psi @ 28 Days Minimum, Type III Cement
2. HS-20 Design Loading Conforms to Latest Specifications ASTM C478, AASHTO M199 Precast Reinforced Concrete Manhole Sections
3. One Pour Monolithic Base Section
4. Steel Reinforcement Conforms to Latest ASTM Specification: ASTM A-615, Grade 60 Black Deformed Bars  
ASTM A-185 Welded Wire Fabric  
0.12 Sq. In./Lineal Ft. And 0.12 Sq. In.(Both Ways) Base Bottom
5. Butyl Rubber Joint Sealant Provided Conforms to ASTM C-990 And Federal Spec SS-S-210A
6. 94 Gallons/VF
7. Holes & Elevations TBD
8. Sections Available in Increments of 6"
9. Booted Pipe Connections (If Used) Conform to ASTM C-923. Maximum Booted Connection Pipe Size is 24"
10. Maximum Pipe OD is 32" (24" RCP)
11. Plastic Manhole Steps (If Required) are Steel Reinforced Conforming to ASTM C-478
12. Asphaltic Exterior Coating Available

**Est Weights:**

Top Slab:	2,000 Lbs
Wt/VF:	864 Lbs
Floor:	931 Lbs
Pipe Casing:	550 Lbs/VF

Phoenix Precast Products

Phoenix Precast Products

Phoenix  
Precast  
Products

4' Diameter  
Sanitary Manhole  
Outside Drop

P/N: None

Concord, NH 03301