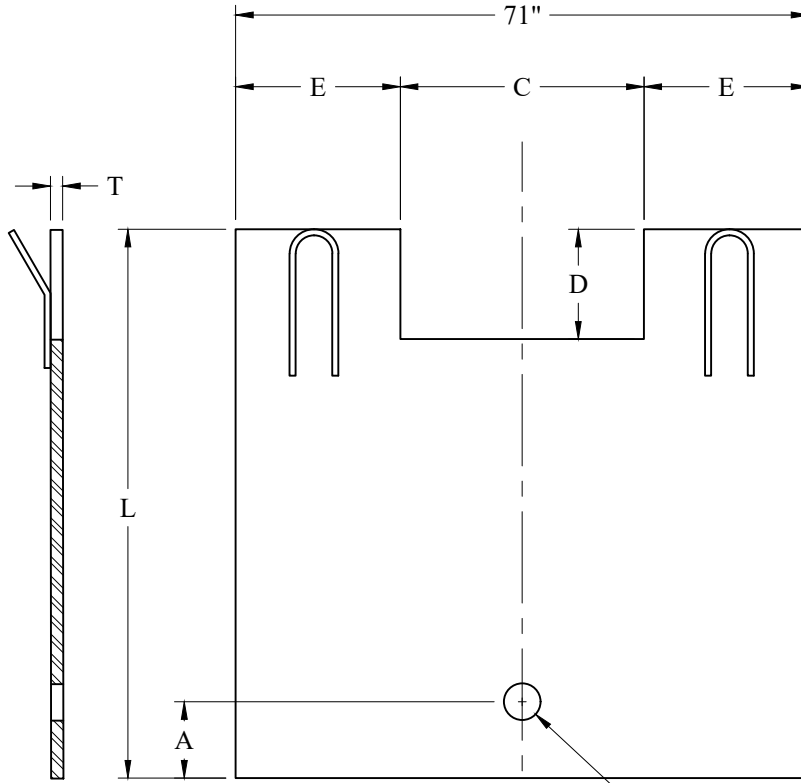
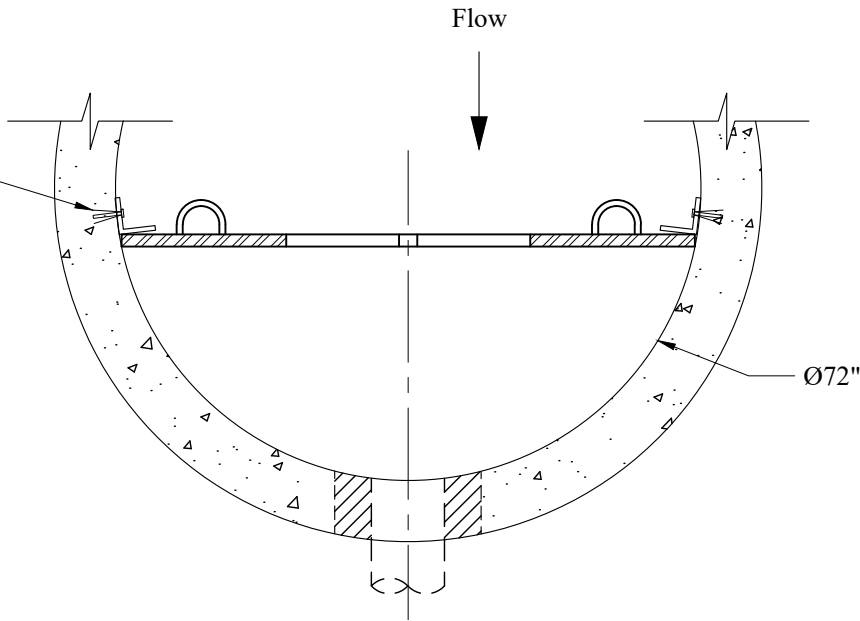


Plate is Secured to Structure with Galvanized Steel Angles and SS 3/8" Dia Concrete Anchor Bolts



**Material Options**

1. Aluminum  $\frac{1}{4}$ " Plate
2. #316 Stainless Steel  $\frac{3}{16}$ " Plate
3. Steel  $\frac{1}{4}$ " Plate. Finish Options:
  - A. Painted
  - B. Hot Dip Galvanized

**Definitions:**

- A - Orifice Ctr Elev
- B - Orifice Diameter
- C - Weir Width
- D - Weir Depth
- E - Top Width
- L - Length
- T - Thickness
- M - Material
- F - Finish

**Requirements**

A	
B	
C	
D	
E	
L	
T	
M	
F	

Phoenix  
Precast  
Products

6' ID Notched  
Weir Plate

P/N: Custom As Required

Concord, NH 03301