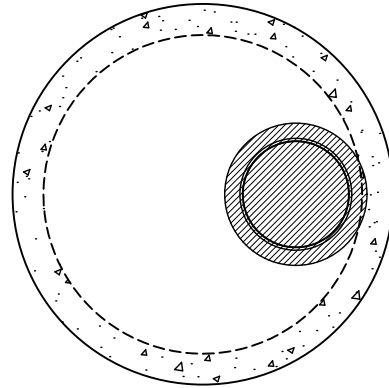
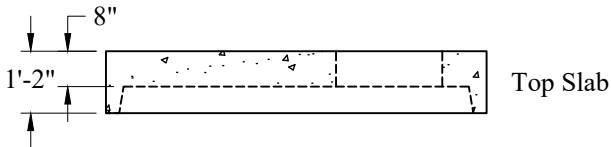


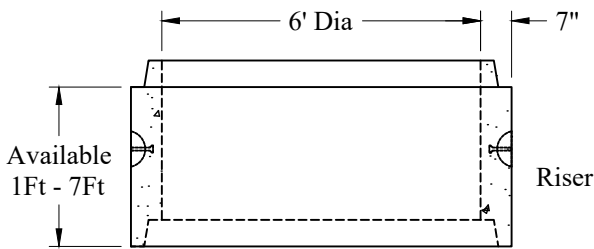
Plan View - Top Slab



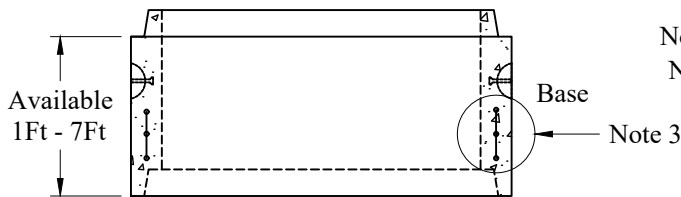
Plan View



Top Slab

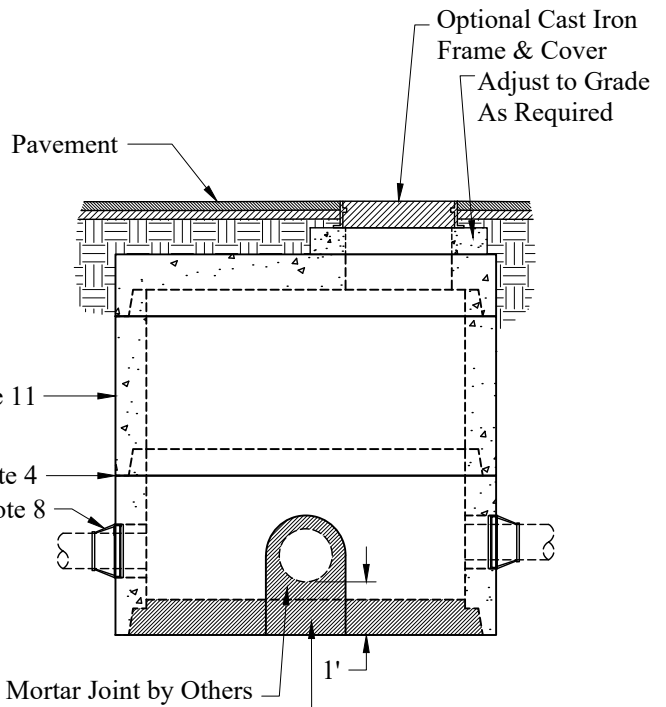


Riser



Base

Note 3



Est Weights:

Top Slab:	4,000 Lbs
Wt/VF:	1,776 Lbs

General Notes

- Concrete: $f_c = 4,000$ psi @ 28 Days Minimum, Type III Cement
- HS-20 Design Loading Conforms to Latest Specifications
ASTM C478, AASHTO M199 Precast Reinforced Concrete Manhole Sections
- Steel Reinforcement Conforms to Latest ASTM Specification:
ASTM A-615, Grade 60 Black Deformed Bars
ASTM A-185 Welded Wire Fabric
0.18 Sq. In./Lineal Ft. And 0.12 Sq. In.(Both Ways)
- Butyl Rubber Joint Sealant Provided Conforms to ASTM C-990
And Federal Spec SS-S-210A
- 212 Gallons/VF
- Holes & Elevations TBD
- Sections Available in Increments of 6"
- Booted Pipe Connections (If Used) Conform to ASTM C-923.
Maximum Booted Connection Pipe Size is 36" RCP
- Maximum Pipe OD is 59" (48" RCP)
- Plastic Manhole Steps (If Required) are Steel Reinforced
Conforming to ASTM C-478
- Asphaltic Exterior Coating Available

Phoenix
Precast
Products

6' Diameter
Sanitary Manhole
Doghouse

P/N: None

Concord, NH 03301