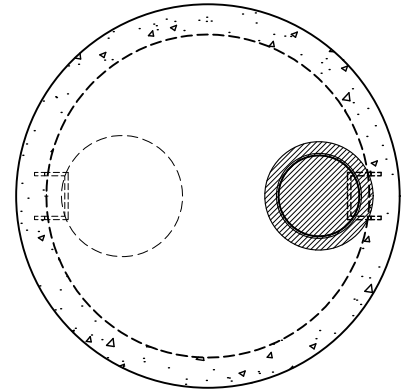
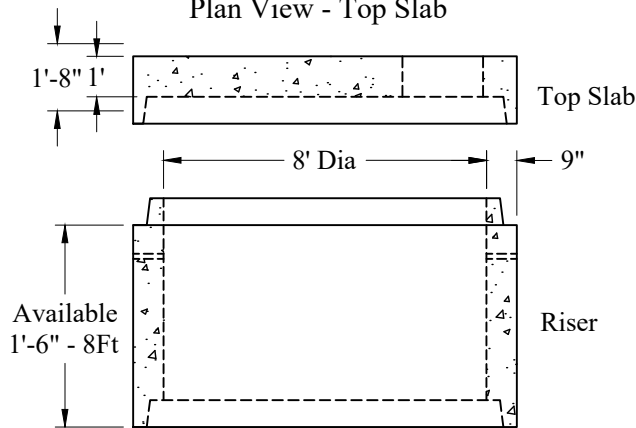


Plan View - Top Slab

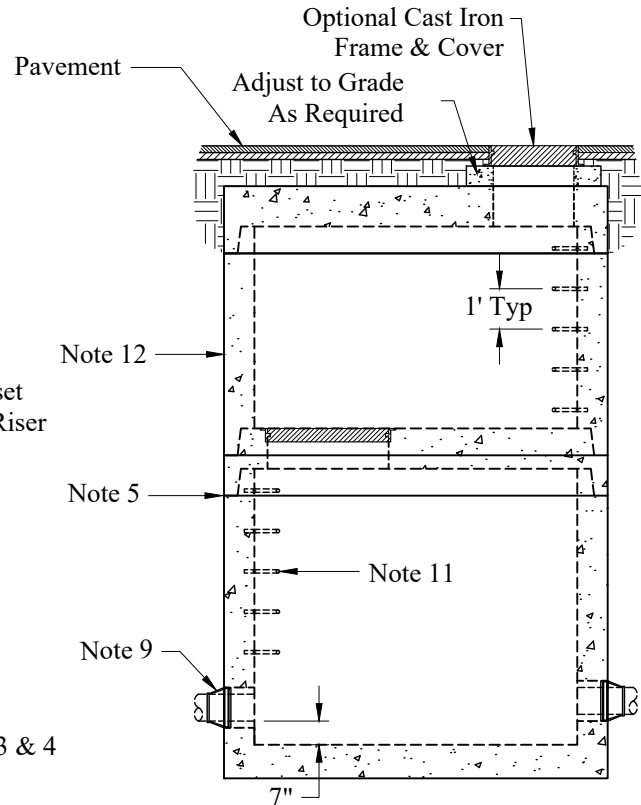
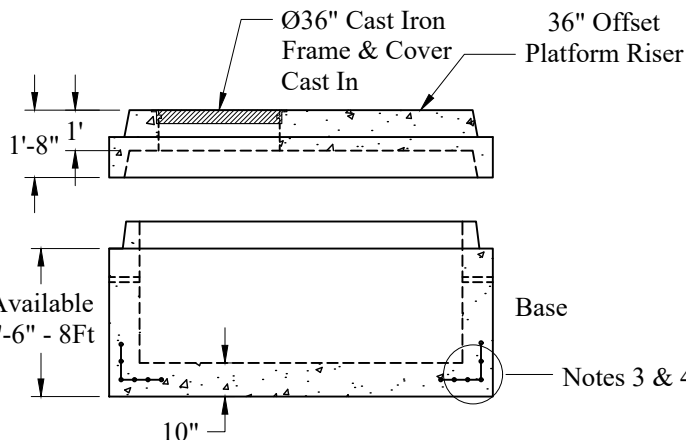


Plan View



Available  
1'-6" - 8Ft

Available  
1'-6" - 8Ft



**General Notes**

1. Concrete: fc = 4,000 psi @ 28 Days Minimum, Type III Cement
2. HS-20 Design Loading Conforms to Latest Specifications  
ASTM C478, AASHTO M199 Precast Reinforced Concrete  
Manhole Sections
3. One Pour Monolithic Base Section
4. Steel Reinforcement Conforms to Latest ASTM Specification:  
ASTM A-615, Grade 60 Black Deformed Bars  
ASTM A-185 Welded Wire Fabric  
0.24 Sq. In./Lineal Ft. And 0.12 Sq. In.(Both Ways) Base Bottom
5. Butyl Rubber Joint Sealant Provided Conforms to ASTM C-990  
And Federal Spec SS-S-210A
6. 377 Gallons/VF
7. Holes & Elevations TBD
8. Sections Available in Increments of 6"
9. Booted Pipe Connections (If Used) Conform to ASTM C-923.  
Maximum Booted Connection Pipe Size is 48" RCP
10. Maximum Pipe OD is 79" (66" RCP)
11. Plastic Manhole Steps (If Required) are Steel Reinforced  
Conforming to ASTM C-478
12. Asphaltic Exterior Coating Available

**Est Weights:**

Top Slab:	11,650 Lbs
Platform:	12,250 Lbs
Wt/VF:	3,040 Lbs
Floor:	6,200 Lbs

Phoenix  
Precast  
Products

8' Diameter  
Sanitary Manhole  
With Platform

P/N: None

Concord, NH 03301