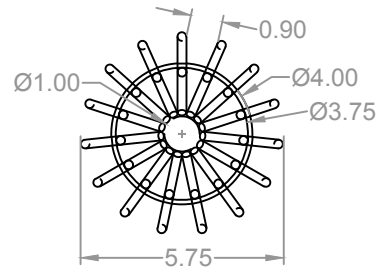
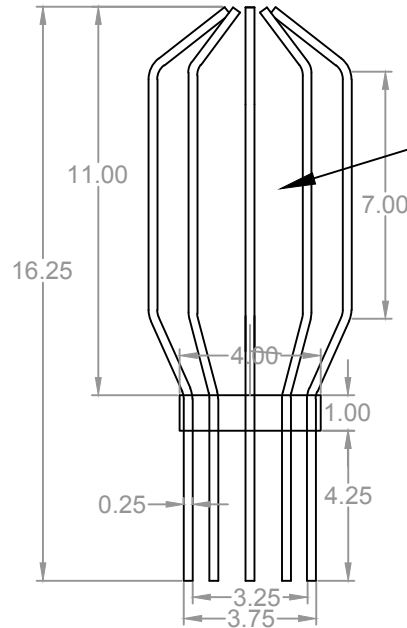


PART NO. BG04 REV. CO. MATERIAL:

REVISIONS			
REV	DESCRIPTION	DATE	BY

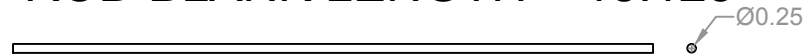


15 rods



some rods removed for clarity

ROD BLANK LENGTH 18.125



Phoenix P/N: BARG4

ITEM	QTY	ITEM DESCRIPTION	PART NO.
Agri Drain CORPORATION <i>America's Most Complete Supplier of Water Management Products</i> <small>P.O. Box 458 - 1462 340th St. - Adair, IA 50002 - Ph: 1-800-232-4742 - Fax 1-800-282-3353 - www.agridrain.com</small>			

TITLE			
4" Bar Guard			
DATE: 12MAY09	DRAWN BY: J MOORE	PART NO. BG04	REV.

ALL INFORMATION CONTAINED IN THIS DOCUMENT IS PROPRIETARY TO AGRI DRAIN CORP. DUPLICATION OR TRANSMITTAL OF THIS DOCUMENT IS STRICTLY PROHIBITED WITHOUT THE WRITTEN CONSENT OF AGRI DRAIN CORP.

Note: Dimensions may vary due to material properties and manufacturing processes.

Length	Width	Height
5.75	5.75	16.5

UNLESS OTHERWISE SPECIFIED, ALL DIMENSIONS ARE IN INCHES.

X ±.06
XX ±.03
XXX ±.010
ANGLES ±2°

BREAK ALL SHARP CORNERS.