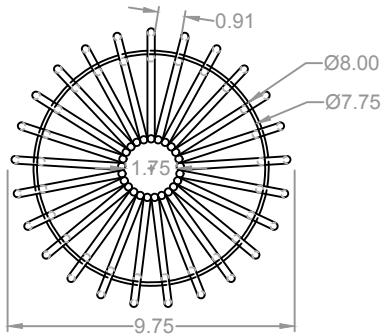
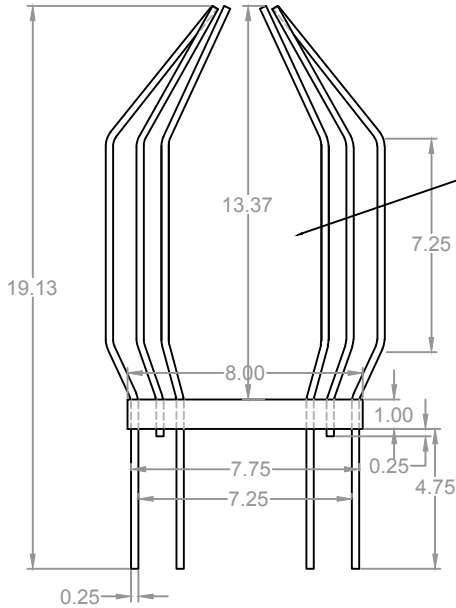


PART NO. BG08 REV. CO. AGRI DRAIN CORP. MATERIAL: 1008 COLD ROLLED

REVISIONS			
REV	DESCRIPTION	DATE	BY



25 Rods



some rods removed for clarity

ROD BLANK LENGTH 13 LONG AT 20-1/2

**Phoenix P/N: BARG8**

ITEM	QTY	ITEM DESCRIPTION	PART NO.
<b>Agri Drain CORPORATION</b> <i>America's Most Complete Supplier of Water Management Products</i> <small>P.O. Box 458 - 1462 340th St. - Adair, IA 50002 - Ph: 1-800-232-4742 - Fax 1-800-282-3353 - www.agridrain.com</small>			

TITLE			
<b>8" BAR GUARD</b>			
DATE: 06MAY09	DRAWN BY: J MOORE	PART NO. BG08	REV.

ALL INFORMATION CONTAINED IN THIS DOCUMENT IS PROPRIETARY TO AGRI DRAIN CORP. DUPLICATION OR TRANSMITTAL OF THIS DOCUMENT IS STRICTLY PROHIBITED WITHOUT THE WRITTEN CONSENT OF AGRI DRAIN CORP.

Note: Dimensions may vary due to material properties and manufacturing processes.

Length	Width	Height
9.75	9.75	19.25

