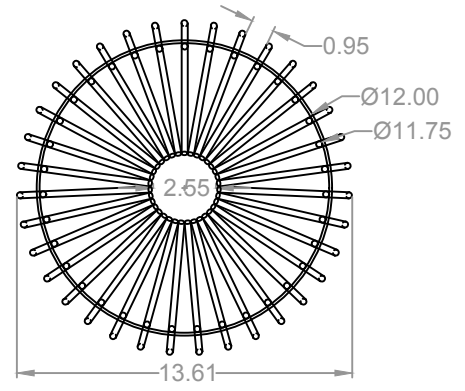
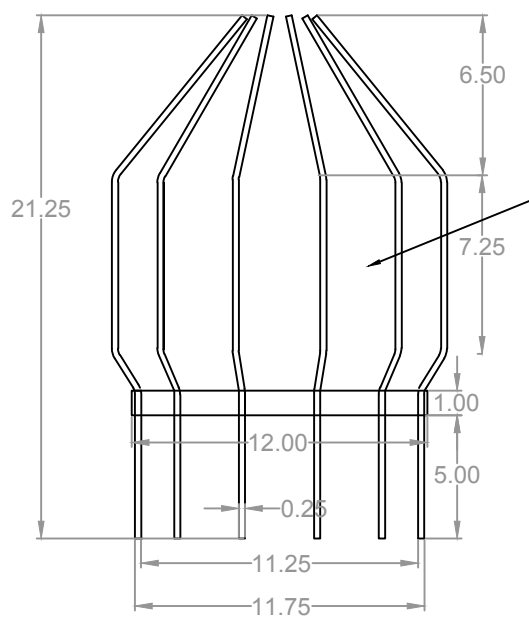


PART NO. BG12	REV.	CO. AGRI DRAIN CORP	MATERIAL: 1008 COLD ROLLED
---------------	------	---------------------	----------------------------

REVISIONS			
REV	DESCRIPTION	DATE	BY



35 rods



some rods removed for clarity

ROD BLANK LENGTH 23.00

**Phoenix P/N: BARG12**

ITEM	QTY	ITEM DESCRIPTION	PART NO.
<b>Agri Drain CORPORATION</b> <i>America's Most Complete Supplier of Water Management Products</i> P.O. Box 458 - 1462 340th St. - Adair, IA 50002 - Ph: 1-800-232-4742 - Fax 1-800-282-3353 - www.agridrain.com			

ALL INFORMATION CONTAINED IN THIS DOCUMENT IS PROPRIETARY TO AGRI DRAIN CORP. DUPLICATION OR TRANSMITTAL OF THIS DOCUMENT IS STRICTLY PROHIBITED WITHOUT THE WRITTEN CONSENT OF AGRI DRAIN CORP.

Note: Dimensions may vary due to material properties and manufacturing processes.

Length	Width	Height
13.75	13.75	21.25

UNLESS OTHERWISE SPECIFIED ALL DIMENSIONS ARE IN INCHES.

X ±.06  
XX ±.03  
XXX ±.010  
ANGLES ±2°

BREAK ALL SHARP CORNERS.

TITLE			
<b>12 " BAR GUARD</b>			
DATE: 19MAY09	DRAWN BY: J MOORE	PART NO. BG12	REV.