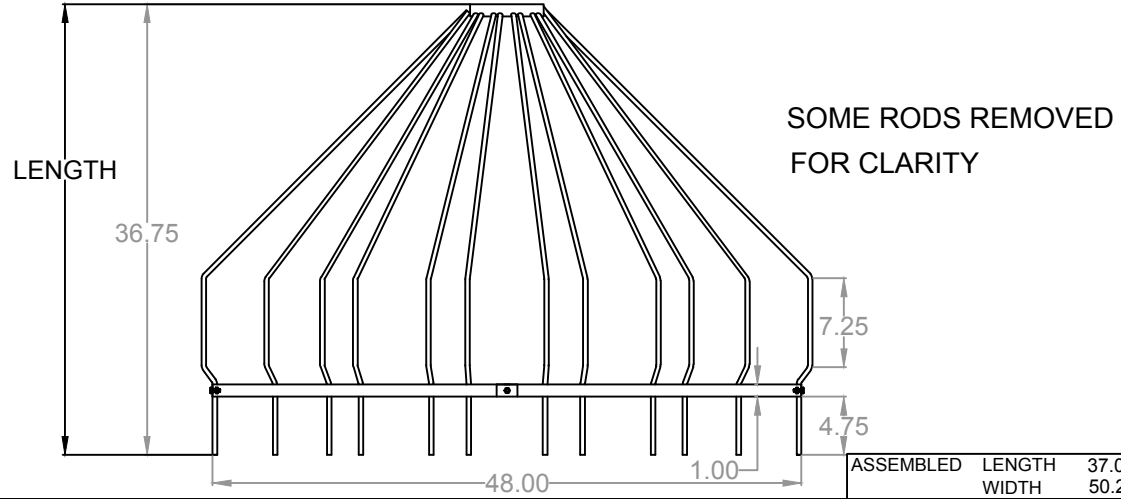
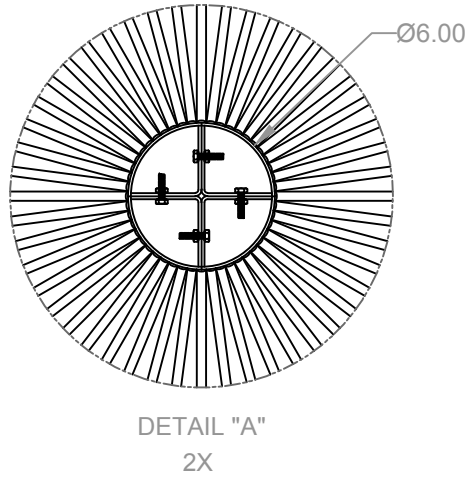
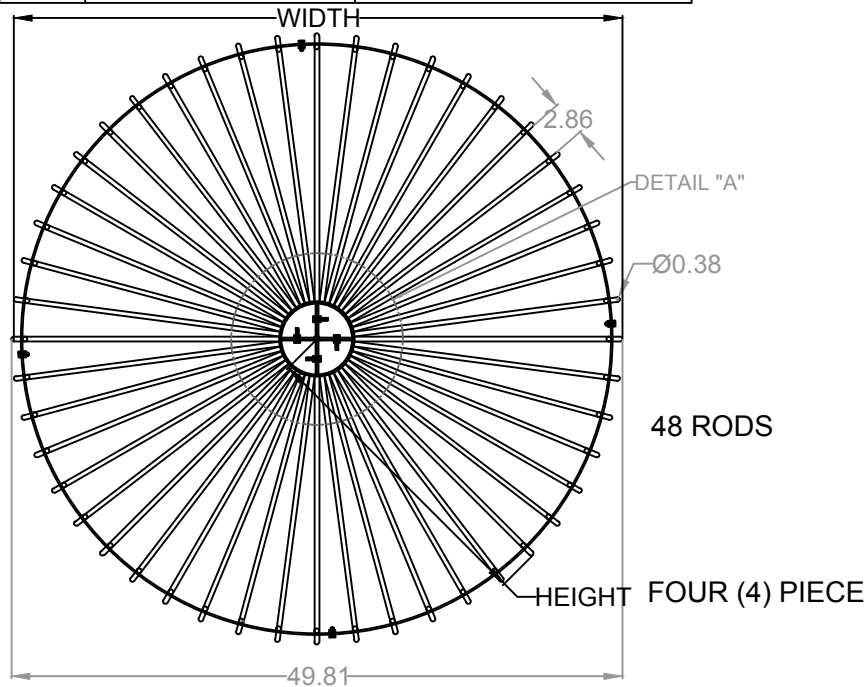


PART NO. BG48 REV. CO. AGRI DRAIN CORP MATERIAL:

REVISIONS			
REV	DESCRIPTION	DATE	BY



Phoenix P/N: BARG48

ITEM	QTY	ITEM DESCRIPTION	PART NO.
Agri Drain CORPORATION <i>America's Most Complete Supplier of Water Management Products</i> P.O. Box 458 - 1462 340th St. - Adair, IA 50002 - Ph: 1-800-232-4742 - Fax 1-800-282-3353 - www.agridrain.com			

ALL INFORMATION CONTAINED IN THIS DOCUMENT IS PROPRIETARY TO AGRI DRAIN CORP. DUPLICATION OR TRANSMITTAL OF THIS DOCUMENT IS STRICTLY PROHIBITED WITHOUT THE WRITTEN CONSENT OF AGRI DRAIN CORP.

Note: Dimensions may vary due to material properties and manufacturing processes.

Length	Width	Height
37.00	50.25	25.25

UNLESS OTHERWISE SPECIFIED ALL DIMENSIONS ARE IN INCHES.

X ±.06
XX ±.03
XXX ±.010
ANGLES ±2°

BREAK ALL SHARP CORNERS.

TITLE			
48 IN BAR GUARD 4 PIECE			
DATE: 28AUG03	DRAWN BY: T. HUSS	PART NO. BG48	REV.