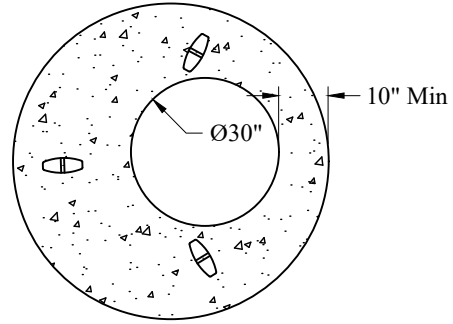
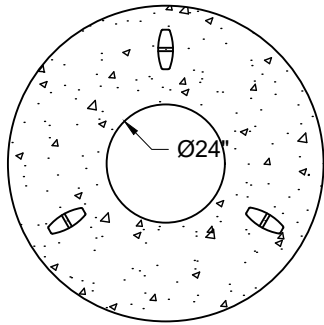


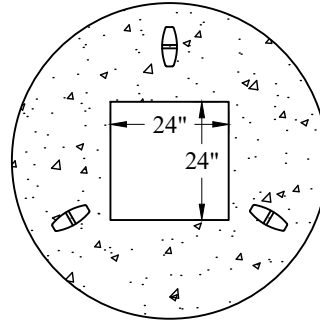
BB4-TS24OFF  
24" Offset Opening  
Est Weight: 1,920 Lbs



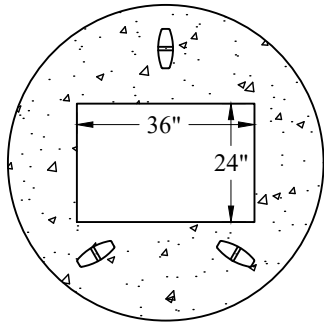
BB4-TS30OFF  
30" Offset Opening  
Est Weight: 1,735 Lbs



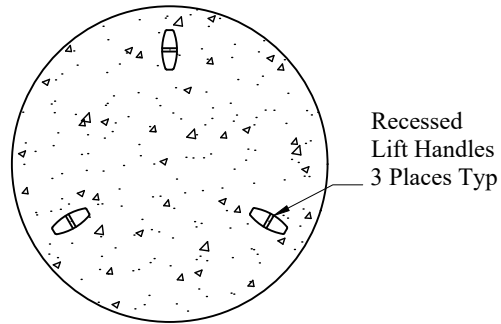
BB4-TS24CL  
24" Centerline Opening  
Est Weight: 1,920 Lbs



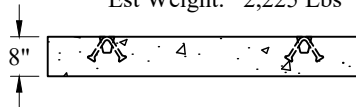
BB4-TS24SQCL  
24" x 24" Centerline Opening  
Est Weight: 1,825 Lbs



BB4-TS24X36  
24" x 36" Opening  
Est Weight: 1,630 Lbs



BB4-TSSOLID  
Solid (No Opening)  
Est Weight: 2,225 Lbs



**General Notes**

1. Steel Reinforcement Conforms to Latest ASTM Specifications:  
ASTM-A615 Grade 60 Black Deformed Bars  
ASTM-A185 Welded Wire Fabric
2. Concrete:  $f_c = 4,000$  psi @ 28 Days Minimum  
Type III Cement
3. Design Loading: AASHTO- HS20-44

Phoenix  
Precast  
Products

Barrel Block  
Top Slabs

P/N: See Above

Concord, NH 03301