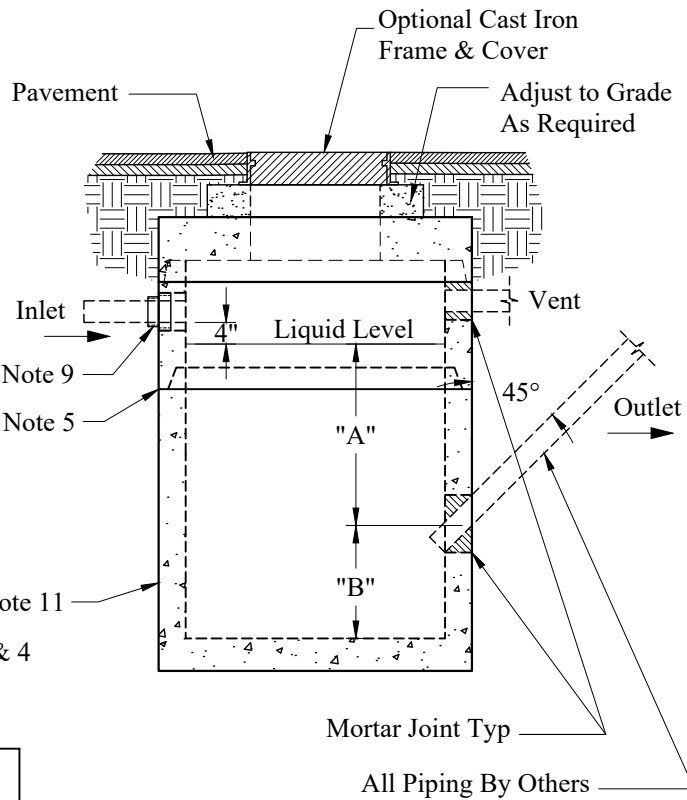
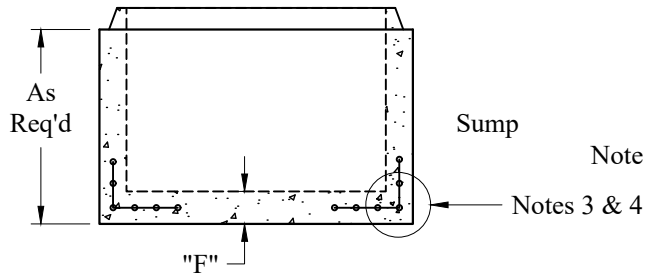
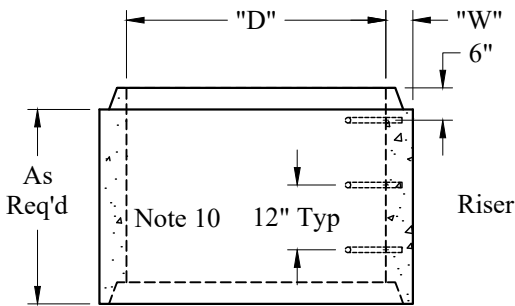
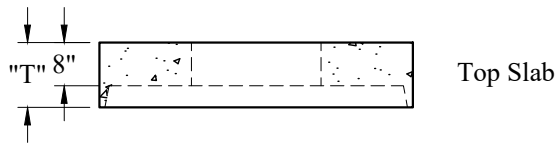
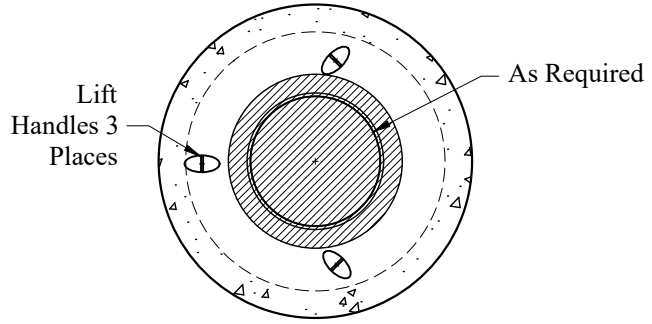


Inlet ID	MH ID	"A"	"B"	"W"	"F"	"T"
4"	4'	3'-0"	2'-6"	5"	6"	1'-0"
5"	4'	3'-8"	3'-0"	5"	6"	1'-0"
6"	4'	5'-0"	4'-6"	5"	6"	1'-0"
6"	5'	3'-6"	3'-0"	6"	8"	1'-1"
8"	5'	6'-0"	5'-0"	6"	8"	1'-1"
8"	6'	4'-0"	3'-6"	7"	8"	1'-1"
10"	6'	6'-6"	5'-6"	7"	8"	1'-1"



**General Notes**

- Concrete:  $f_c = 4,000$  psi @ 28 Days Minimum, Type III Cement
- HS-20 Design Loading Conforms to Latest Specifications  
ASTM C478, AASHTO M199 Precast Reinforced Concrete Manhole Sections
- One Pour Monolithic Base Section
- Steel Reinforcement Conforms to Latest ASTM Specification:  
ASTM A-615, Grade 60 Black Deformed Bars  
ASTM A-185 Welded Wire Fabric
- Butyl Rubber Joint Sealant Provided Conforms to ASTM C-990  
And Federal Spec SS-S-210A
- $\text{Ø}4'$  = 94 Gallons/VF  
 $\text{Ø}5'$  = 147 Gallons/VF  
 $\text{Ø}6'$  = 212 Gallons/VF
- Holes & Elevations TBD
- Sections Available in Increments of 6"
- Booted Pipe Connections (If Used) Conform to ASTM C-923.  
Maximum Booted Connection Pipe Size is 24"
- Plastic Manhole Steps (If Required) are Steel Reinforced  
Conforming to ASTM C-478
- Asphaltic Exterior Coating Available

Est Weights:	Ø4'	Ø5'	Ø6'
Top Slab:	2,000	3,040	4,000 Lbs
Wt/VF:	864	1,280	1,776 Lbs
Floor:	931	1,939	2,240 Lbs

Phoenix  
Precast  
Products

Boston Water & Sewer  
Commission  
Oil & Grease Separator

P/N: None

Concord, NH 03301