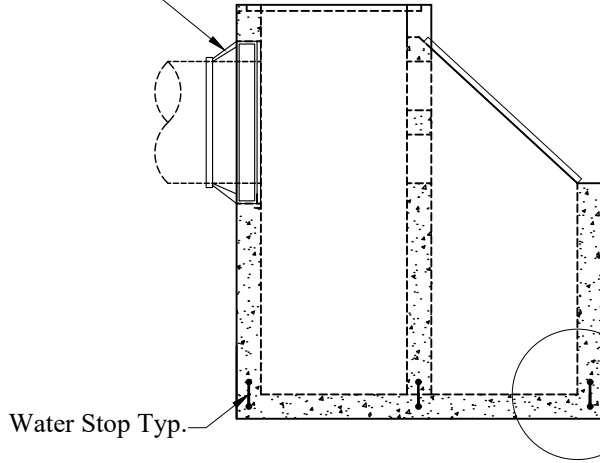
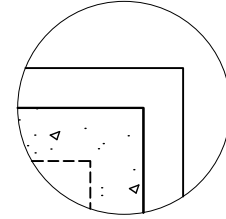


Plan View

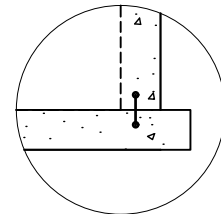
Optional Booted Pipe Connection



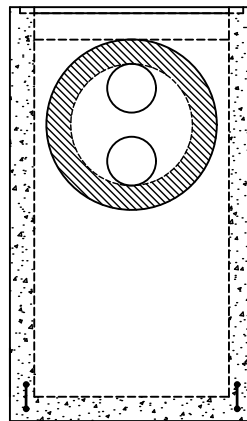
Side View



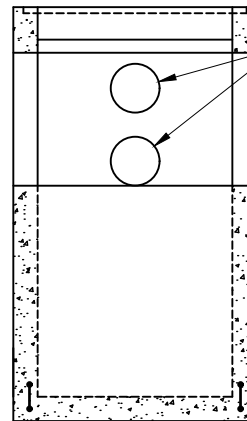
Detail 1
Optional Anti-Flotation Collar



Detail 2
Optional Anti-Flotation Collar



Outlet View



Inlet View
(Grate Removed
For Clarity)

General Notes

1. Concrete: $f_c = 5,000$ psi @ 28 Days Minimum, Type III Cement
2. Steel Reinforcing Conforms to Latest ASTM Specifications
ASTM A-615 Grade 60 Rebar
3. Design Loading: AASHTO-HS20-44
4. Grates Fastened with SS Hardware
5. Grates/Trash Racks Finish Options: Galvanized, Painted,
Or Unfinished

**Phoenix
Precast
Products**

**Custom
Multi Stage Outlet
Control Structure**

P/N: Custom As Required

Concord, NH 03301