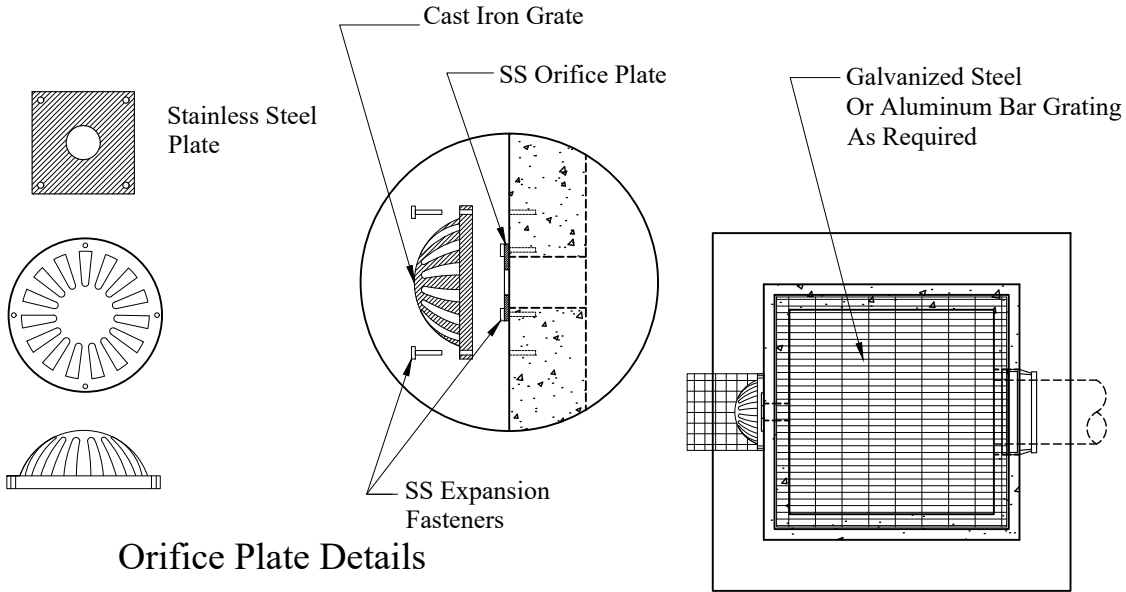


1-800-639-2199

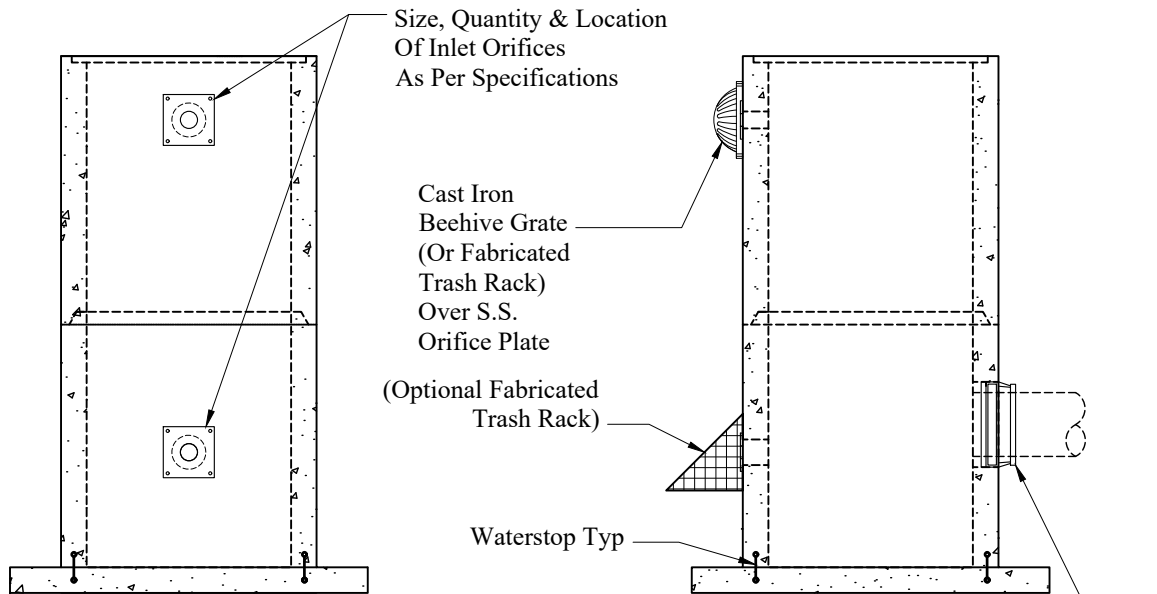
Fax (603) 224-2927

Outlet Structures/Standard OCS with Ext Base(v)



Orifice Plate Details

Plan View



Inlet View  
(Beehive Grates Removed For Clarity)

Side View

General Notes

1. Concrete:  $f_c = 5,000$  psi @ 28 Days Minimum, Type III Cement
2. Steel Reinforcing Conforms to Latest ASTM Specifications ASTM A-615 Grade 60 Rebar
3. Design Loading: AASHTO-HS20-44
4. Grates/Trash Racks Fastened with SS Hardware
5. Grates/Trash Racks Finish Options: Galvanized, Painted, Or Unfinished

Phoenix  
Precast  
Products

Custom Outlet Control  
Structure With  
Extended Base

P/N: Custom As Required

Concord, NH 03301

Phoenix Precast Products

Phoenix Precast Products