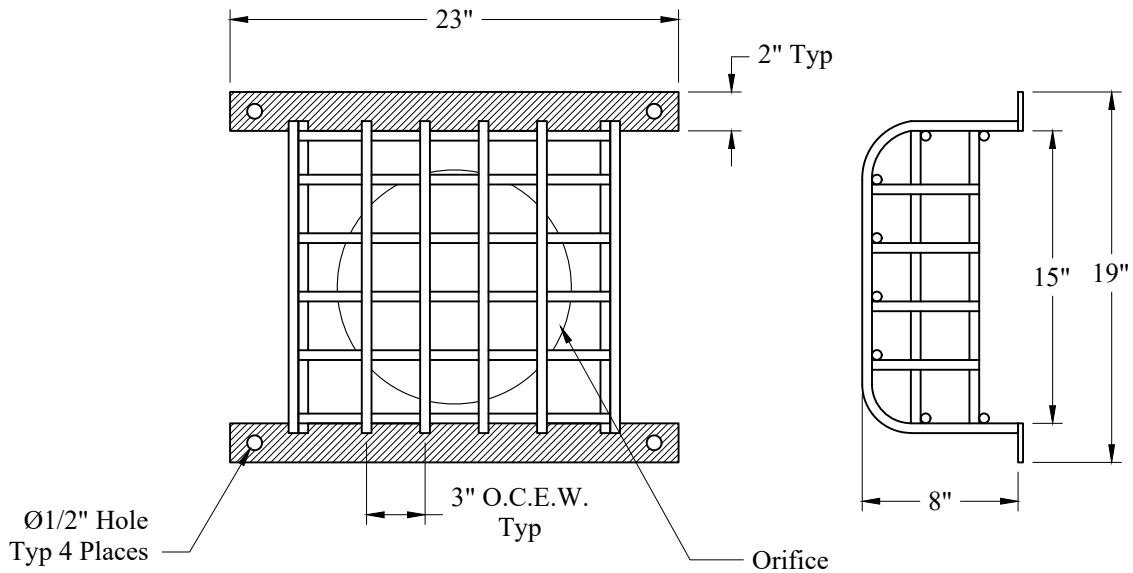


Top View



Front View

Side View

General Notes

1. Materials:
2" x 3/16" Flat Steel Bar
1/2" Dia HR Round Steel Bars @ 3" O.C.E.W.
2. Finish Options:
A. Unfinished
B. Painted
C. Hot Dip Galvanized
3. Fastening Method:
Bolted With 3/8" Dia Stainless Steel Concrete Anchors
4. Est Weight: 27 Lbs

Phoenix
Precast
Products

Flat Wall Trash Rack
15" x 15" x 8"

P/N: Custom As Required