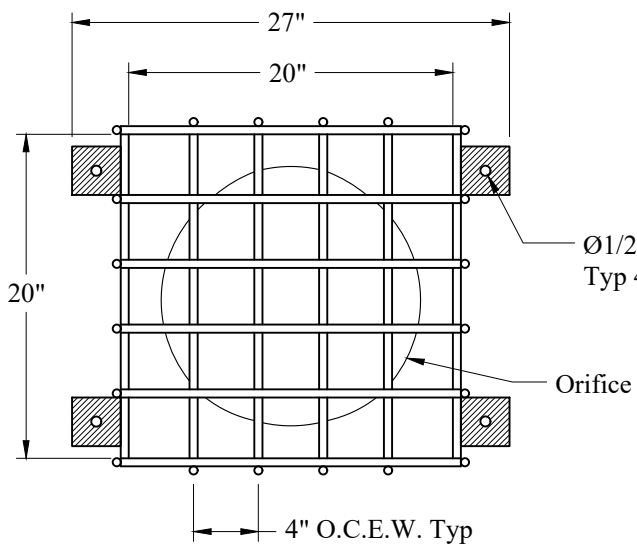
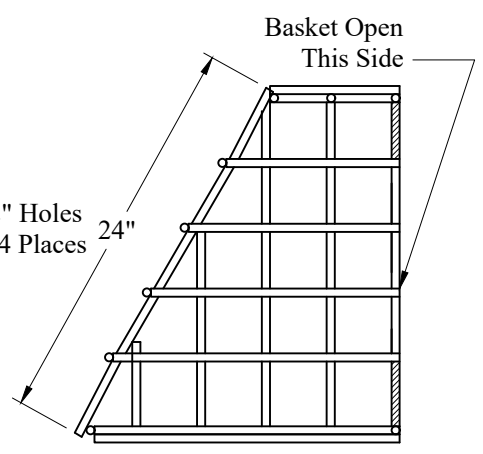


Top View



Front View



Side View

General Notes

1. Materials:
 - 3" x 3" x 1/4" Flat Steel Bar
 - 1/2" Dia HR Round Steel Bars @ 4" O.C.E.W.
2. Finish Options:
 - A. Unfinished
 - B. Painted
 - C. Hot Dip Galvanized
3. Fastening Method:
 - Bolted With 3/8" Dia Stainless Steel Concrete Anchors
4. Est Weight: 55 Lbs

Note:
4" x 4" Pattern is
Continued on Underside

Phoenix
Precast
Products

Flat Wall Trash Rack
Angled 20" x 20"

P/N: Custom As Required

Concord, NH 03301