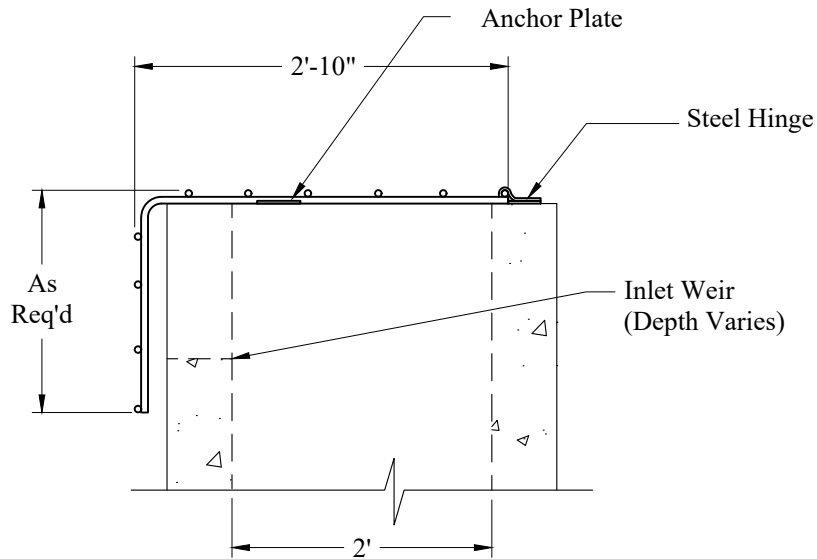


Plan View  
Typ 2' x 2' OCS



Side View  
Typ 2' x 2' OCS

**General Notes**

1. Materials:
  - 3" x 4" x 1/4" Flat Steel Bar
  - 1/2" Dia HR Round Steel Bars @ 6" O.C.E.W.
2. Finish Options:
  - A. Unfinished
  - B. Painted
  - C. Hot Dip Galvanized
3. Fastening Method:
  - Bolted With 3/8" Stainless Steel Concrete Anchors

Phoenix  
Precast  
Products

Top Grate  
2' x 2' OCS with  
Weir Opening

P/N: Custom As Required