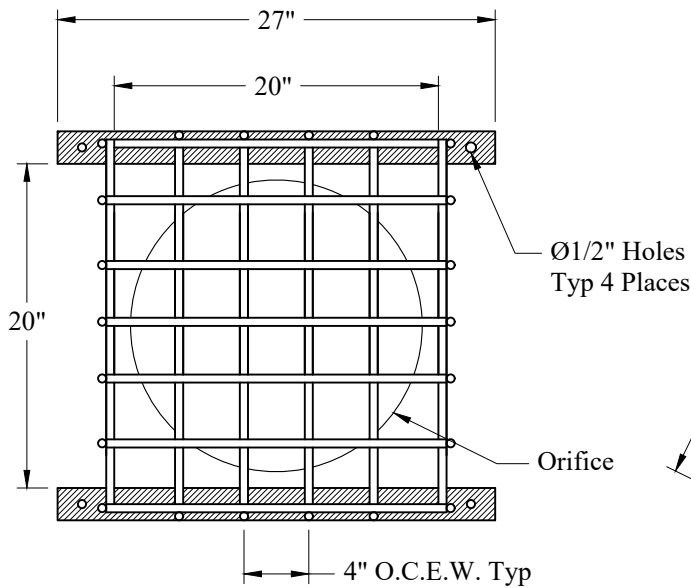
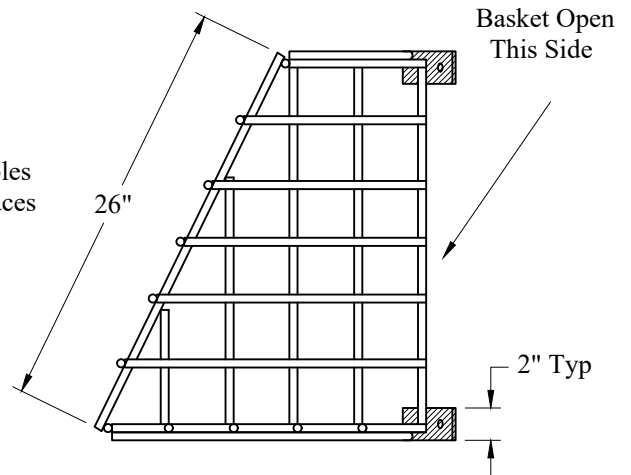


Top View



Front View



Side View

Note:  
 4" x 4" Pattern is  
 Continued on Underside

**General Notes**

1. Materials:  
 2" x 3/16" Flat Steel Bar  
 $\frac{1}{2}$ " Dia HR Round Steel Bars @ 4" O.C.E.W.
2. Finish Options:  
 A. Unfinished  
 B. Painted  
 C. Hot Dip Galvanized
3. Fastening Method:  
 Bolted With  $\frac{3}{8}$ " Stainless Steel Concrete Anchors

Phoenix  
 Precast  
 Products

Round Structure  
 Trash Rack  
 Angled 20" x 20"

P/N: Custom As Required