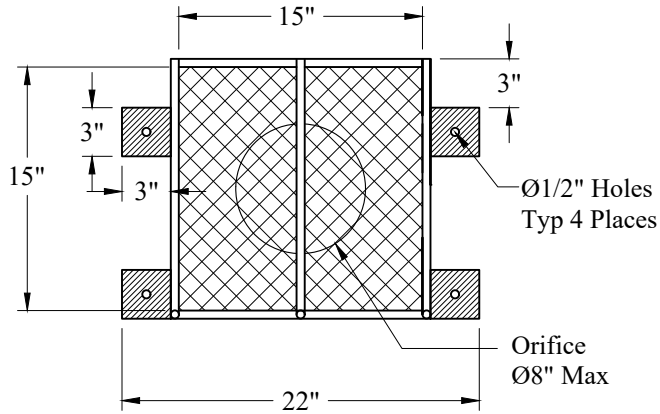
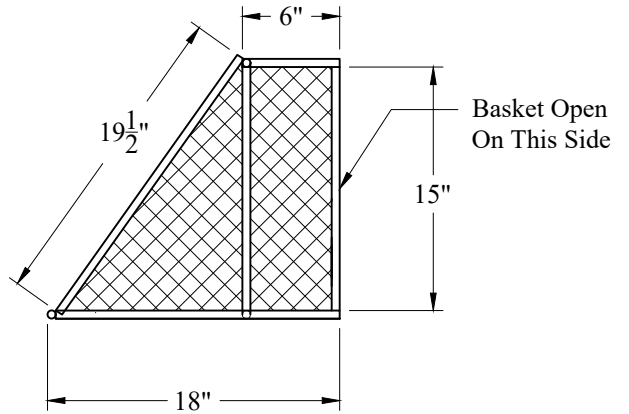


Top View



Front View



Side View

General Notes

1. Materials:
 - 3" x 3" x 1/4" Flat Steel Bar
 - 1/2" Dia HR Round Steel Bars
 - 3/4 - #9 Flattened Expanded Metal Sheet
2. Finish: Hot Dip Galvanized
3. Fastening Method:
 - Bolted With 3/8" Dia Stainless Steel Concrete Anchors
4. Est Weight: 70 Lbs

Phoenix
Precast
Products

Flat Wall Trash Rack
Angled Expanded Metal
15" x 15"

P/N: TR-15x15x16FLATG

Concord, NH 03301