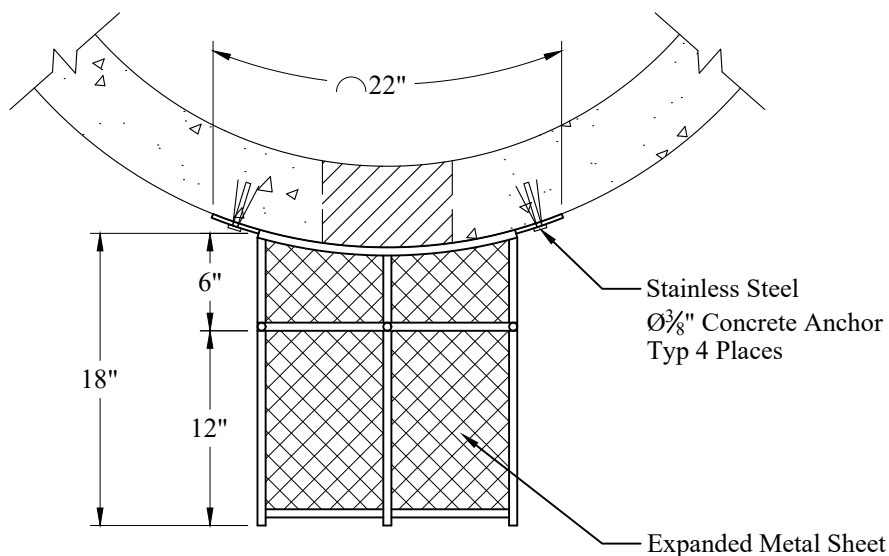


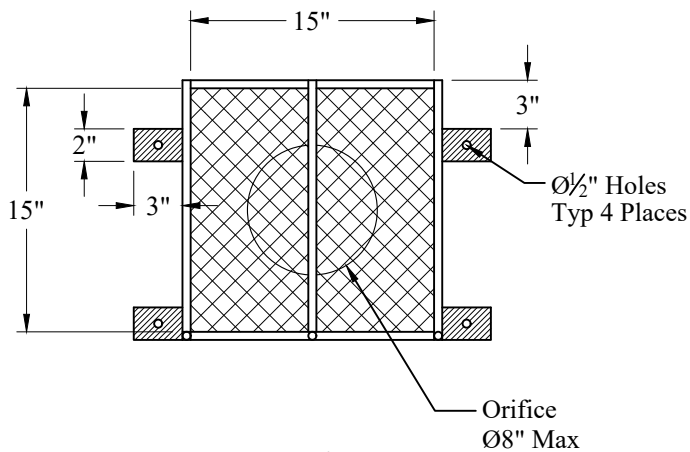
C:\Users\ironville\OneDrive - Sabbow & Co Inc\ray  
 r\Fabricated Metal\Round Structures\Trash Rack Angled  
 Exp Metal 15x15\_07.Rvt

Phoenix Precast Products

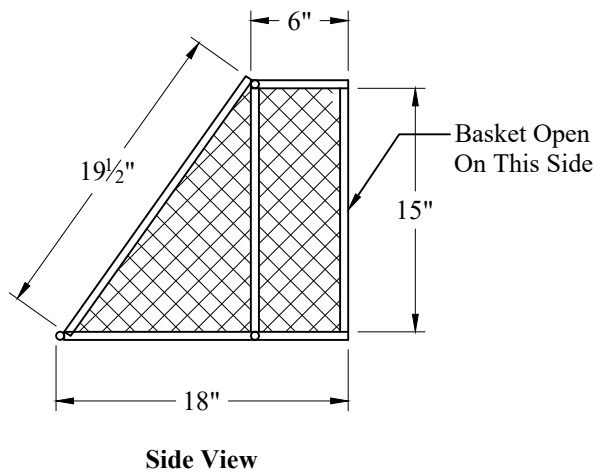
Phoenix Precast Products



Top View



Front View



Side View

**General Notes**

1. Materials:
  - 2" x 3/16" Flat Steel Bar
  - 1/2" Dia HR Round Steel Bars
  - 3/4 - #9 Flattened Expanded Metal Sheet
2. Finish: Hot Dip Galvanized
3. Fastening Method:
  - Bolted With 3/8" Stainless Steel Concrete Anchors
4. Est Weight: 70 Lbs

Phoenix  
Precast  
Products

Round Structure Trash Rack  
Angled Expanded Metal  
15" x 15"

P/N: TR-15X15X16RNDG

Concord, NH 03301