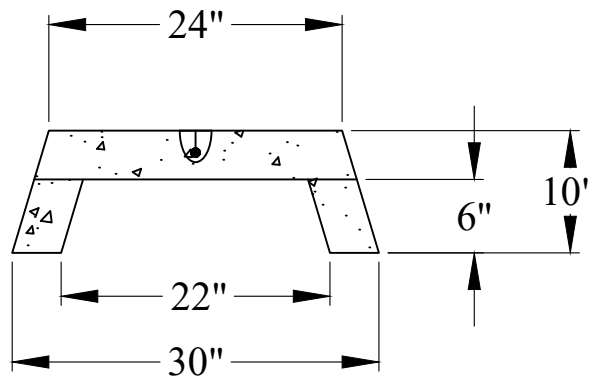
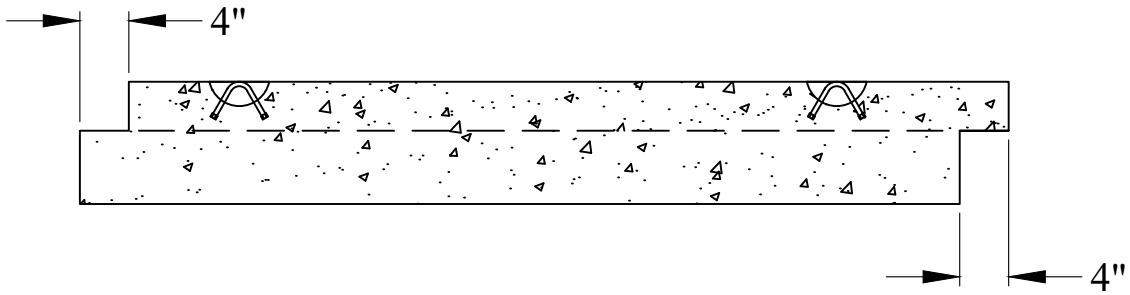


### Recessed Handles 2 Places



#### General Notes

1. Reinforcement Steel Conforms to: ASTM A185
2. Concrete:  $f_c = 4,000$  psi @ 28 Days Minimum
3. Est. Weight: 2,110 Lbs

Phoenix  
Precast  
Products

NH Electric Co-Op  
Underwater  
Cable Cover

P/N: NHEC-UCC