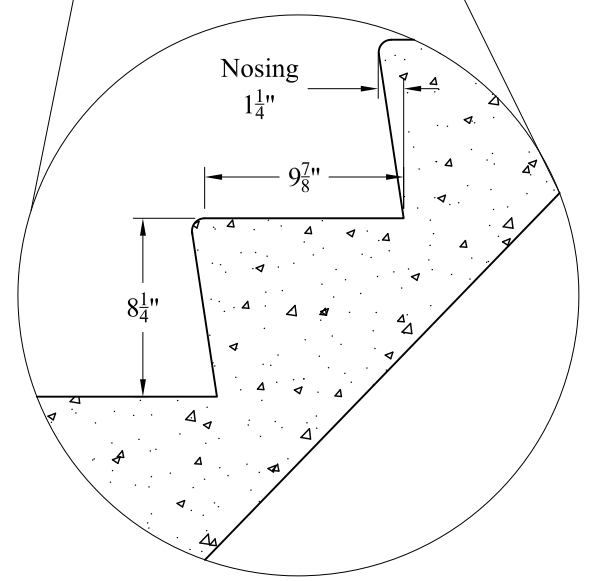
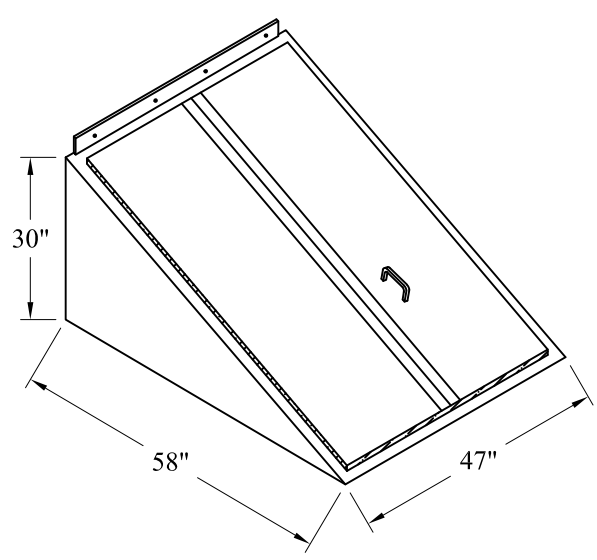
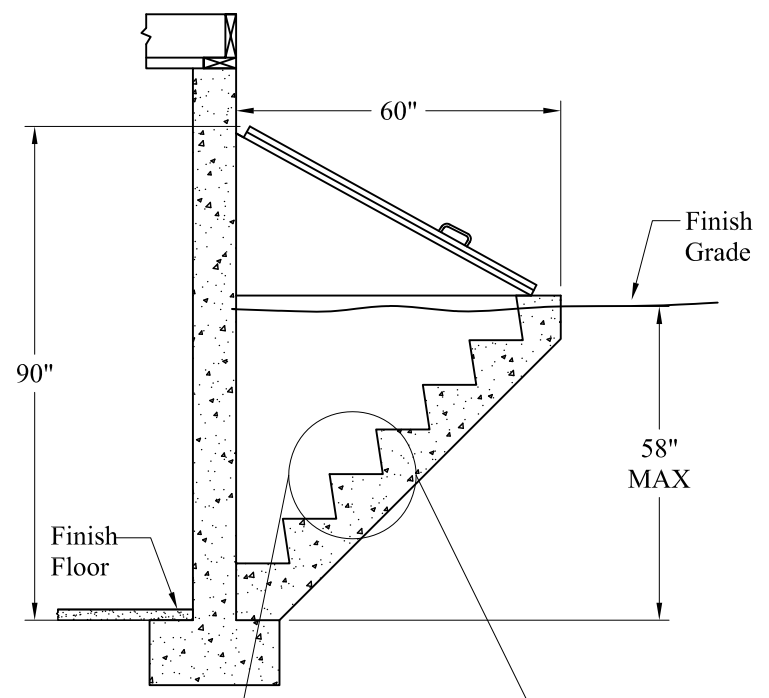
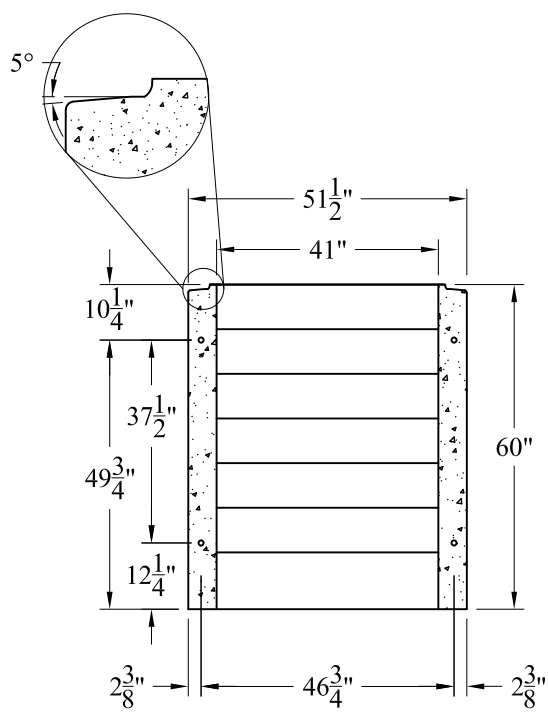


C:\Users\vrrouille\OneDrive - Sabbow & Co Inc\tray r  
Web Site 2024\Bulkhead\Type O\_Rev4.dwg

Phoenix Precast Products

Phoenix Precast Products



Est Weight: 3,600 Lbs

P/N: Casting Only           BH-OC  
P/N: Door Installed        BH-ODI  
P/N: Door Not Installed   BH-ODD

**Not To Scale**

General Notes

- 1.) Concrete 4,000 psi Minimum After 28 Days
- 2.) Heavy Double Leaf Steel Doors Primed Not Painted

Phoenix  
Precast  
Products

Basement Entrance  
Type "O"

P/N: See Above

Concord, NH 03301