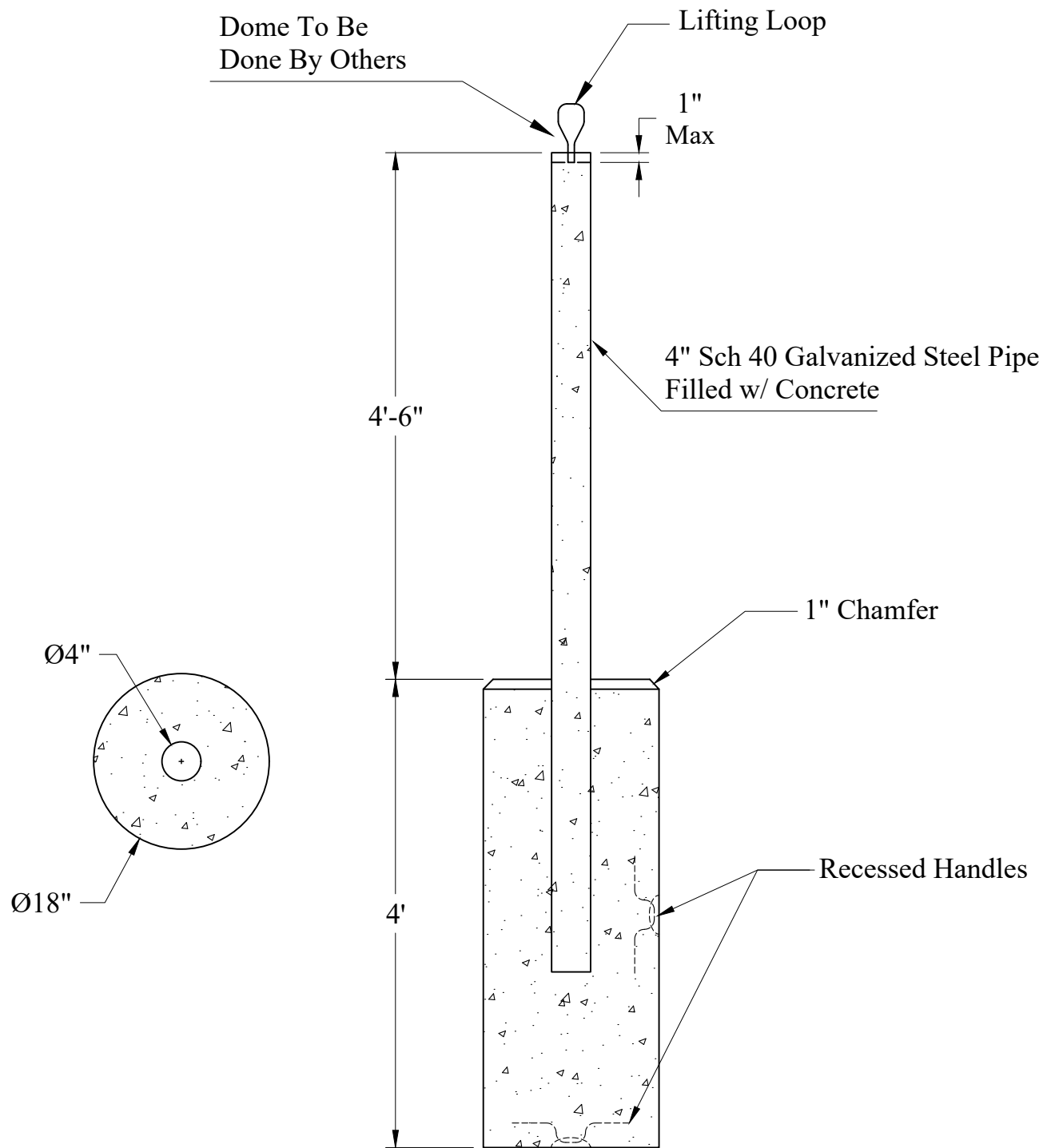


C:\Users\rouille\OneDrive - Sabbow & Co Inc\ray r Web Site 2024\Bollards\Standards With Base\4in Bollard Galv w Base Rev3.dwg



General Notes

- 1.) Concrete: $f_c = 4,000$ PSI @ 28 Days Minimum
- 2.) Weight: 1,098 Lbs

Phoenix
Precast
Products

4" Dia. Galvanized
Bollard With Base

P/N: PB-4 BOLLARD GALV

Concord, NH 03301