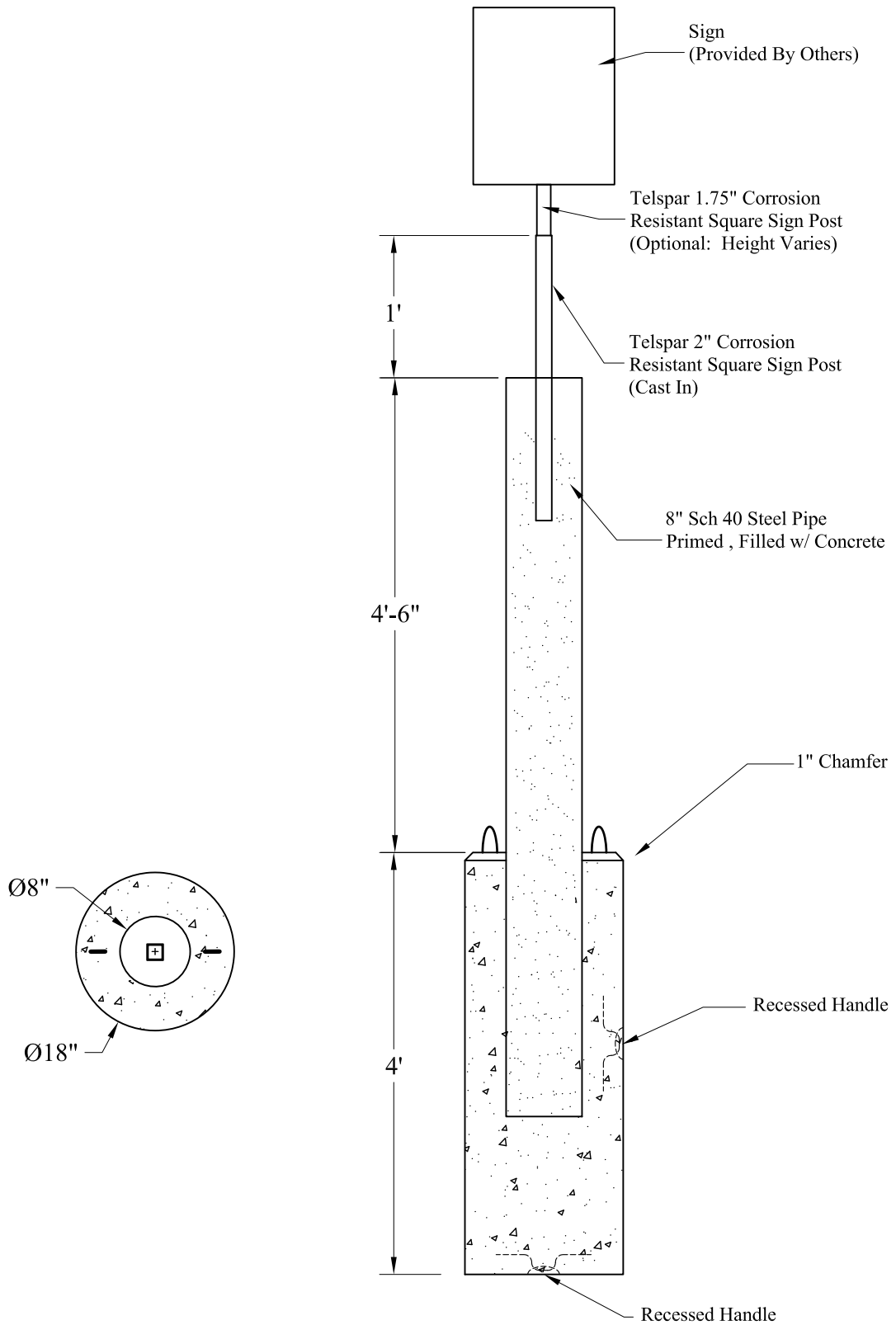


C:\Users\vroutille\OneDrive - Sabbow & Co Inc\ray r Web Site 2024\Bollards\Sign Post Bollard Style\8 Inch Sign Bollard w. Base - Standard - Rev5.dwg

Phoenix Precast Products

Phoenix Precast Products



**General Notes**

- 1.) Concrete: fc = 4,000 PSI @ 28 Days Minimum
- 2.) Weight: 1,273 Lbs

Phoenix  
Precast  
Products

8" Sign Bollard With  
Base - Standard

P/N: SB-8SIGNBASE